

阅读申明

- 1.本站收集的数据手册和产品资料都来自互联网，版权归原作者所有。如读者和版权方有任何异议请及时告之，我们将妥善解决。
- 2.本站提供的中文数据手册是英文数据手册的中文翻译，其目的是协助用户阅读，该译文无法自动跟随原稿更新，同时也可能存在翻译上的不当。建议读者以英文原稿为参考以便获得更精准的信息。
- 3.本站提供的产品资料，来自厂商的技术支持或者使用者的心得体会等，其内容可能存在描述上的差异，建议读者做出适当判断。
- 4.如需与我们联系，请发邮件到marketing@iczoom.com，主题请标有“数据手册”字样。

Read Statement

1. The datasheets and other product information on the site are all from network reference or other public materials, and the copyright belongs to the original author and original published source. If readers and copyright owners have any objections, please contact us and we will deal with it in a timely manner.
2. The Chinese datasheets provided on the website is a Chinese translation of the English datasheets. Its purpose is for reader's learning exchange only and do not involve commercial purposes. The translation cannot be automatically updated with the original manuscript, and there may also be improper translations. Readers are advised to use the English manuscript as a reference for more accurate information.
3. All product information provided on the website refer to solutions from manufacturers' technical support or users the contents may have differences in description, and readers are advised to take the original article as the standard.
4. If you have any questions, please contact us at marketing@iczoom.com and mark the subject with "Datasheets" .



SICOFI[®] 4- μ C
Four Channel Codec
Filter with PCM and
Microcontroller Interface

PEB 2466 Version 2.2

PEF 2466 Version 2.2

Wired
Communications



Never stop thinking.

Edition 2001-02-20

**Published by Infineon Technologies AG,
St.-Martin-Strasse 53,
D-81541 München, Germany**

**© Infineon Technologies AG 2001.
All Rights Reserved.**

Attention please!

The information herein is given to describe certain components and shall not be considered as warranted characteristics.

Terms of delivery and rights to technical change reserved.

We hereby disclaim any and all warranties, including but not limited to warranties of non-infringement, regarding circuits, descriptions and charts stated herein.

Infineon Technologies is an approved CECC manufacturer.

Information

For further information on technology, delivery terms and conditions and prices please contact your nearest Infineon Technologies Office in Germany or our Infineon Technologies Representatives worldwide (see address list).

Warnings

Due to technical requirements components may contain dangerous substances. For information on the types in question please contact your nearest Infineon Technologies Office.

Infineon Technologies Components may only be used in life-support devices or systems with the express written approval of Infineon Technologies, if a failure of such components can reasonably be expected to cause the failure of that life-support device or system, or to affect the safety or effectiveness of that device or system. Life support devices or systems are intended to be implanted in the human body, or to support and/or maintain and sustain and/or protect human life. If they fail, it is reasonable to assume that the health of the user or other persons may be endangered.

SICOFI[®]4- μ C

Four Channel Codec Filter with PCM and Microcontroller Interface

PEB 2466 Version 2.2

PEF 2466 Version 2.2

Wired
Communications



Never stop thinking.

PEB 2466

PEF 2466

Revision History:

Current Version 2001-02-20

DS 1

Previous Version: Data Sheet 02.97 DS2 (V 1.2)
 Delta Sheet 11.98 DS2 (V 1.4)
 Errata Sheet 05.98 DS1 (V 1.4)

Page	Subjects (major changes since last revision)
------	--

For questions on technology, delivery and prices please contact the Infineon Technologies Offices in Germany or the Infineon Technologies Companies and Representatives worldwide: see our webpage at <http://www.infineon.com>

ABM[®], AOP[®], ARCOFI[®], ARCOFI[®]-BA, ARCOFI[®]-SP, DigiTape[®], EPIC[®]-1, EPIC[®]-S, ELIC[®], FALC[®]54, FALC[®]56, FALC[®]-E1, FALC[®]-LH, IDEC[®], IOM[®], IOM[®]-1, IOM[®]-2, IPAT[®]-2, ISAC[®]-P, ISAC[®]-S, ISAC[®]-S TE, ISAC[®]-P TE, ITAC[®], IWE[®], MUSAC[®]-A, OCTAT[®]-P, QUAT[®]-S, SICAT[®], SICOFI[®], SICOFI[®]-2, SICOFI[®]-4, SICOFI[®]-4 μ C, SLICOFI[®] are registered trademarks of Infineon Technologies AG.

ACE[™], ASM[™], ASP[™], POTSWIRE[™], QuadFALC[™], SCOUT[™] are trademarks of Infineon Technologies AG.

Table of Contents		Page
	Preface	1
1	Overview	2
1.1	Features	3
1.2	Logic Symbol	4
1.3	Typical Applications	4
2	Pin Descriptions	5
2.1	Pin Diagram	5
2.2	Pin Definitions and Functions	6
3	Functional Description	10
3.1	DSP-based Architecture	10
3.2	Programming and Control	10
4	Operational Description	12
4.1	Operating States	12
4.1.1	Power On	12
4.1.2	Hardware Reset	12
4.2	Transmission Characteristics	14
4.2.1	Overload Point	14
4.2.2	0 dBm ₀ -Levels	14
4.2.3	Compressor Gain Relative to Coding Law	15
4.2.4	Operating Conditions	16
4.2.5	Gain Accuracy	17
4.2.6	Gain Tracking (Receive and Transmit)	17
4.2.7	Frequency Response	18
4.2.8	Group Delay	18
4.2.8.1	Group Delay, Absolute Values	18
4.2.8.2	Group Delay Distortion with Frequency	19
4.2.9	Noise	19
4.2.10	Harmonic and Intermodulation Distortion	20
4.2.11	Total Distortion	20
4.2.12	Single Frequency Distortion	22
4.2.13	Overload Compression	22
4.2.14	Crosstalk	22
4.2.15	Out-of-Band Discrimination in Transmit Direction	23
4.2.16	Out-of-Band Discrimination in Receive Direction	24
4.2.17	Out-of-Band Idle Channel Noise at Analog Output	25
4.2.18	Transhybrid Loss	26
5	Interface Description	27
5.1	Analog Interface	27
5.1.1	Coupling Capacitors at the Analog Interface	27

Table of Contents		Page
5.1.2	Analog Interface Pins	29
5.2	PCM Interface	30
5.2.1	PCM Interface Pins	30
5.2.2	PCM Receive and Transmit Example	30
5.3	Signaling Interface	32
5.3.1	Signaling Interface Pins	33
5.3.2	Debouncing Functions and Interrupt Generation	34
5.3.3	Clock Output Signals	34
5.4	Serial Microcontroller Interface	35
5.4.1	Serial Microcontroller Interface Pins	36
5.4.2	Write Access	36
5.4.3	Read Access	36
5.4.4	Three-Wire Access	38
6	Programming Overview	39
6.1	Programming Overview	39
6.1.1	Register Model	39
6.1.2	Register Maps	40
6.1.3	CRAM Structure	41
6.2	Types of Commands and Data Bytes	42
7	Application Hints	43
7.1	Support Tools	43
7.1.1	Development Board	43
7.2	Guidelines for Board Design	44
7.2.1	Filter Capacitors	44
7.3	Proposal for SICOFI [®] 4- μ C Board Design	45
8	Electrical Characteristics and Timing Diagrams	46
8.1	Absolute Maximum Ratings	46
8.2	Operating Range	47
8.3	Digital Interface	47
8.4.1	Coupling Capacitors at the Analog Interface	48
8.5	Reset Timing	48
8.4	Analog Interface	48
8.6	PCM-Interface Timing	49
8.6.1	Single Clocking Mode	49
8.6.2	Double Clocking Mode	50
8.7	Microcontroller Interface Timing	51
8.8	Signaling Interface Timing	52
8.8.1	Timing from the μ C Interface to the SO/SB-pins	52
8.8.2	Timing from the SI/SB-pins to the μ C Interface	52

Table of Contents		Page
9	Test Modes	53
9.1	Analog Loops	53
9.2	Digital Loops	54
9.3	Cut-Off's	55
10	Package Outlines	56
11	Glossary	57
	Index	58

List of Figures		Page
Figure 1	SICOFI [®] 4- μ C Architecture	2
Figure 2	SICOFI [®] 4- μ C Logic Symbol	4
Figure 3	Pin Configuration of SICOFI [®] 4- μ C	5
Figure 4	SICOFI [®] 4- μ C Block Diagram	11
Figure 5	SICOFI [®] 4- μ C State Diagram	12
Figure 6	Analog and PCM Signal Levels in A-Law Mode	15
Figure 7	Analog and PCM Signal Levels in μ -Law Mode	15
Figure 8	Simplified Signal Flow Diagram	16
Figure 9	Total Distortion Measured with Sine-Wave, Receive and Transmit	20
Figure 10	Total Distortion Receive (Noise)	21
Figure 11	Total Distortion Transmit (Noise)	21
Figure 12	Overload Compression (μ -Law Coding, Transmit Direction)	22
Figure 13	Out-of-Band Discrimination in Transmit Direction	23
Figure 14	Analog Output: Out-of-Band Signals	24
Figure 15	Analog Output: Out-of-Band Idle Channel Noise	25
Figure 16	Analog Interface to Four Subscriber Line Interface Circuits (SLICs)	28
Figure 17	PCM Interface Example: Location of Time Slots	31
Figure 18	PCM Interface Example: Detail A	32
Figure 19	Signaling Example: Four Subscriber Lines	33
Figure 20	Serial Microcontroller Interface	35
Figure 21	Example for a Two-Byte Write Access	36
Figure 22	Example for a One-Byte Read Access	37
Figure 23	Example for a Read Access with Byte-by-Byte Transfer	37
Figure 24	Bi-Directional Data Signal: DIN and DOUT Strapped Together	38
Figure 25	Channel-Specific and Common Coefficients	41
Figure 26	Development System with STUT 2466 Evaluation Board	43
Figure 27	SICOFI [®] 4- μ C Test Circuit Configuration	44
Figure 28	Proposal for a ground concept	45
Figure 29	PCM Interface Timing in Single Clocking Mode	49
Figure 30	PCM Interface Timing in Double Clocking Mode	50
Figure 31	Timing of the Microcontroller Interface	51
Figure 32	Signaling Output Timing (data downstream)	52
Figure 33	Analog Loops	53
Figure 34	Digital Loops	54
Figure 35	Cut-Off's	55

List of Tables		Page
Table 1	Pin Definitions and Functions	6
Table 2	Register Values and Accessibility	13
Table 3	Input and Output Pin Behavior.	13
Table 4	Power Dissipation	14
Table 5	Maximum Signal Levels.	14
Table 6	Analog Voltage Levels Corresponding to 0 dBm0-Level	14
Table 7	Gain Accuracy	17
Table 8	Gain Deviations with Input Level	17
Table 9	Attenuation with Frequency in Transmit and Receive Direction.	18
Table 10	Group Delay, Absolute Values.	18
Table 11	Group Delay Distortion with Frequency	19
Table 12	Idle Channel Noise in Transmit Direction.	19
Table 13	Idle Channel Noise in Receive Direction	19
Table 14	Harmonic and Intermodulation Distortion.	20
Table 15	Signal-to-Total Distortion Ratio Measured with Sine Wave	20
Table 16	Signal-to-Total Distortion Ratio Measured with Noise	21
Table 17	Crosstalk Between Channels.	22
Table 18	Out-of-Band Signals Applied to the Analog Inputs (VINx)	23
Table 19	Out-of-Band Signals at the Analog Outputs (VOUTx)	24
Table 20	Transhybrid Loss	26
Table 21	Analog Interface Pins.	29
Table 22	PCM Interface Pins	30
Table 23	PCM Register Configuration Example	31
Table 24	Signaling Interface: Pins and Functions for SLIC Interfaces	34
Table 25	Clock Programming	35
Table 26	Serial Microcontroller Interface: Pins and Functions	36
Table 27	Register Model.	39
Table 28	Read Access to Common Configuration Register (XR) Map.	40
Table 29	Write Access to Common Configuration Register (XR) Map	40
Table 30	Channel-Specific Configuration Register (CR) Map (Read & Write)	40
Table 31	Coefficient RAM (CRAM) Structure per Channel.	41
Table 32	Coefficient RAM (CRAM) Structure per Set.	42
Table 33	Types of Commands and Data Bytes.	42
Table 34	Analog Loop Programming in Register CR3, Bits 7 to 4	53
Table 35	Digital Loop Programming in Register CR3, Bits 7 to 4	54
Table 36	Cut-Off Programming in Register CR2, Bits 7 to 5.	55

Preface

This document provides detailed technical information about the SICOFI[®]4- μ C. It is intended for anyone considering or using the device for system design or board layout for a broad range of analog telephony applications. All content applies to both the standard PEB 2466 and the extended temperature version, PEF 2466, unless specified.

Organization of this Document

This Hardware Reference Manual is organized as follows:

- Chapter 1, Overview
Includes a general description of the architecture, feature list, and logic symbol.
- Chapter 2, Pin Descriptions
Illustrates the Pin Configuration and provides detailed functional descriptions.
- Chapter 3, Functional Description
Provides a block diagram and summarizes the major functional blocks.
- Chapter 4, Operational Description
Begins with a state diagram and description of the operating states of all four channels and concludes with detailed transmission characteristics.
- Chapter 5, Interface Descriptions
Describes the Analog, PCM, Signaling, and Serial Microcontroller interfaces.
- Chapter 6, Programming Overview
Illustrates the register model and coefficient RAM structure, provides a register map and summary, and identifies the programming command sequences.
- Chapter 7, Application Hints
Describes the development system available for the PEB 2466, and provides guidelines and schematics for board layout.
- Chapter 8, Electrical Characteristics and Timing Diagrams
Provides detailed tables for the electrical characteristics and includes timing diagrams for the Analog, PCM, Serial Microcontroller, and Signaling interfaces.
- Chapter 9, Test Configuration
Describes the test loops and cut-offs available for functional tests and diagnostics.
- Chapter 10, Package Outlines
Illustrates the P-MQFP-64 package in which the PEB 2466 is manufactured.
- The Appendix
Includes a glossary and an index.

Related Documentation

Other documentation for the PEB 2466 includes a *Product Brief*, a *Product Overview*, a *Programmer's Reference Manual*, and assorted *Application Notes*. Similar documentation is also available for the other members of the SICOFI Codec family including the PSB 2132, PSB 2134, and PEB 2266. Documentation is available by accessing our website: <http://www.infineon.com/sicofi>

1 Overview

The four-channel codec filter PEB 2466 SICOFI[®]4- μ C is built around a central DSP-core which provides independent filter structures for all channels. Its analog I/O pins are used to connect to external subscriber line interface circuits (SLICs). Their signals are internally routed to the analog-to-digital and digital-to-analog converters (ADC, DAC). The signaling pins carry line status and control information to and from the SLICs. Two programmable clock outputs are available. The SICOFI[®]4- μ C connects to the digital switching and transmission system through two PCM Highways. The digitized voice band signals are available as A-Law or μ -Law codes within selectable 8-bit time slots.

The SICOFI[®]4- μ C modes, features, and filter characteristics are programmed through a serial interface to a microcontroller. The access mechanism is very simple, and can be implemented with as few as three I/O ports. The PEB 2466 is available for standard temperature range applications (0 °C to +70 °C); the PEF 2466 is available for extended temperature range applications (-40 °C to +85 °C).

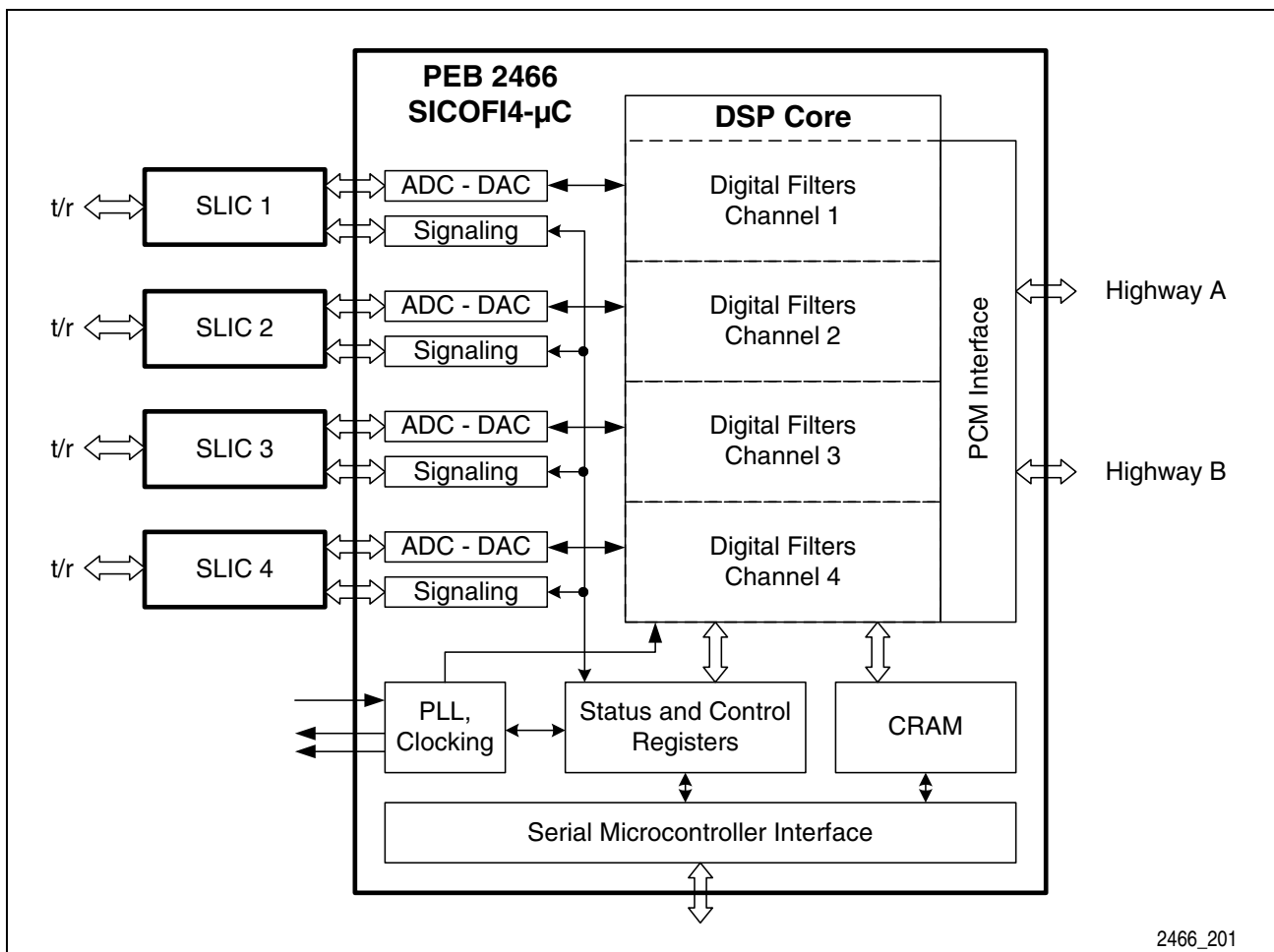


Figure 1 SICOFI[®]4- μ C Architecture

Four Channel Codec Filter with PCM and Microcontroller Interface SICOFI®4-μC

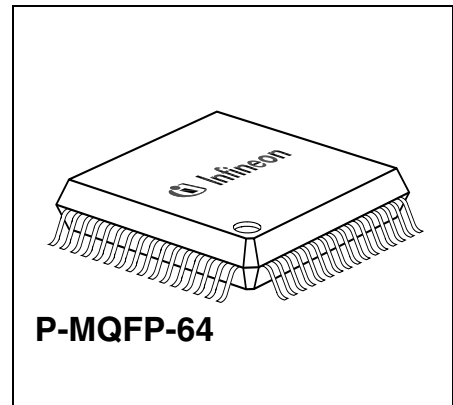
PEB 2466
PEF 2466

Version 2.2

CMOS

1.1 Features

- Four-channel single chip codec with digital filters
- High analog driving capability (300 Ω, 50 pF) for direct driving of transformers
- Digital Signal Processing (DSP) technique
- Programmable digital filters to adapt transmission behavior, especially for:
 - AC impedance matching
 - Transhybrid balancing
 - Frequency response
 - Signal levels
 - A/μ-Law compression and expansion
- Fulfills international (e.g. ITU-T Q.552, G.712) and country-specific requirements
- High performance ADC and DAC for excellent linearity and dynamic gain
- Programmable Analog Interface to electronic SLICs or transformer solutions
- Seven SLIC-signaling I/O pins per channel with programmable debouncing
- Two PCM Highways accessible by on-chip PCM Interface with Programmable time slot assignment and variable data rates from 128 kbit/s to 8 Mbit/s
- Easy to use 4-pin Serial Microcontroller Interface (SPI compatible) for read/write access
- Single supply voltage (5 V)
- Advanced low-power mixed-signal CMOS technology
- Two programmable tone generators per channel (DTMF possible)
- Level metering function for system tests and for analog input signal testing
- Advanced on-chip functions for device and system diagnostics and manufacturing test
 - Five digital loops
 - Four analog loops
- Support tools include:
 - Hardware development board — STUT 2466
 - QSICOS Coefficient Calculation and Register Configuration Software
- Standard P-MQFP-64 package



Type	Package
PEB 2466 Version 2.2	P-MQFP-64
PEF 2466 Version 2.2	P-MQFP-64

1.2 Logic Symbol

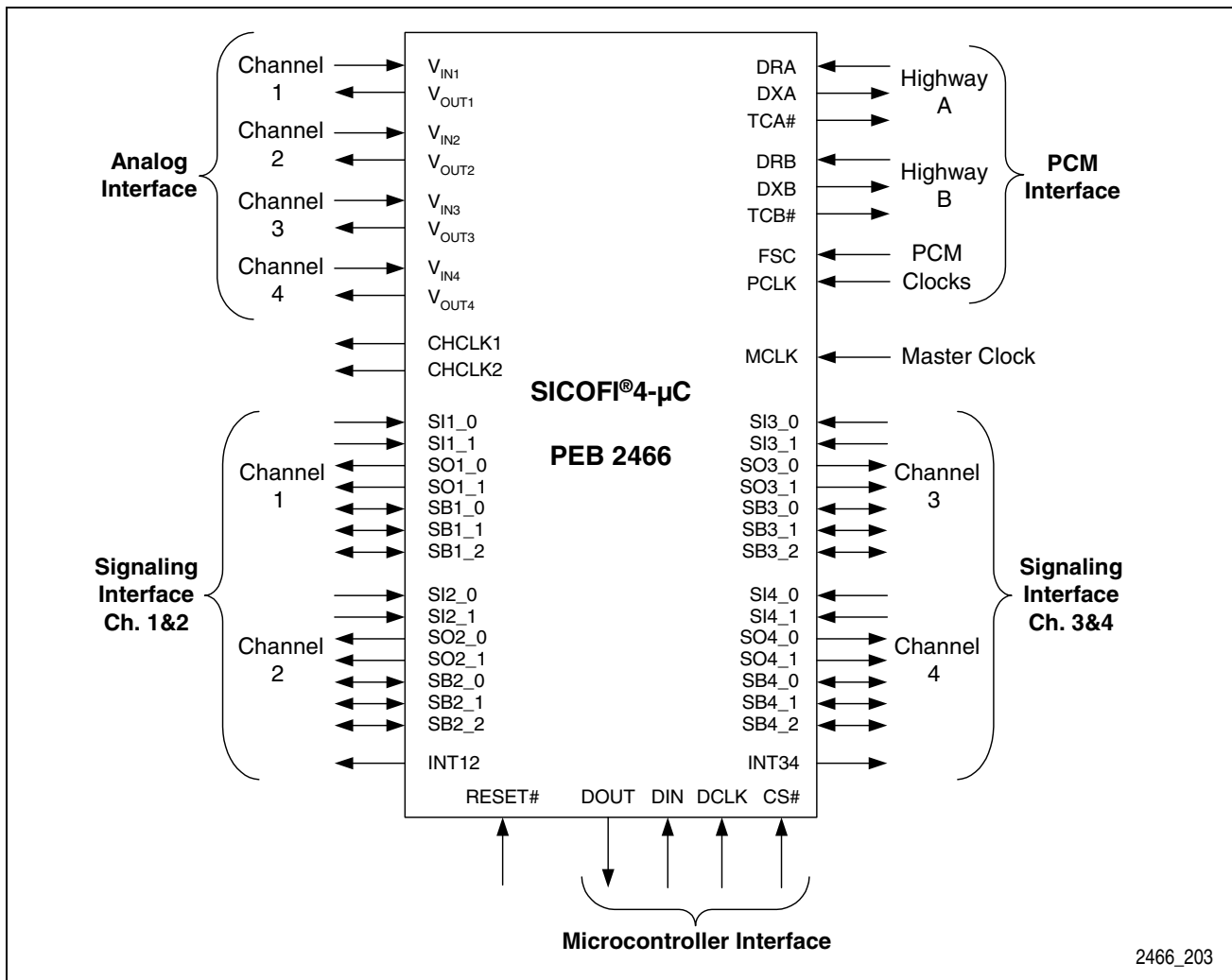


Figure 2 SICOFI®4-µC Logic Symbol

1.3 Typical Applications

Many applications will benefit from the versatility of the SICOFI®4-µC codec and filter. The inherent flexibility enables several products to be developed around one basic architecture, thus affording potentially significant savings in time to market, inventory costs, and support administration.

The following list represents some of the typical applications for which the SICOFI®4-µC codec was designed: Analog linecards for Central Offices and PBXs, Small PBX or Key Systems, Digital Loop Carrier (DLC) Systems, Digital Added Main Lines (DAML) Systems, Fiber-to-the-Curb (FTTC) Systems, Radio-in-the-Loop (RITL) Systems, and any Multi-channel, digital voice processing, storage, or communication applications. Refer to the **Product Overview, Chapter 5 Application Hints** for more information.

2 Pin Descriptions

2.1 Pin Diagram

(top view)

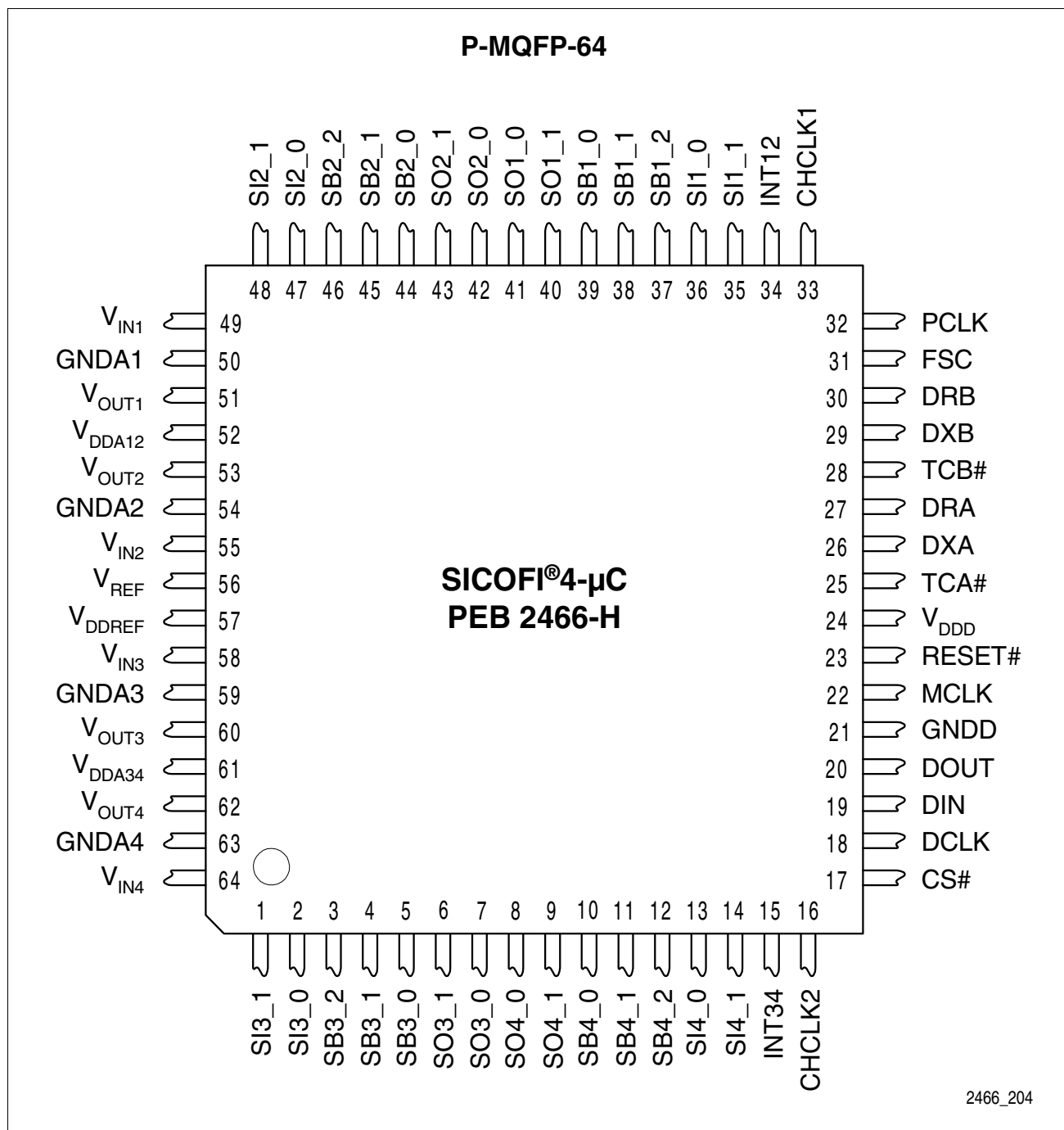


Figure 3 Pin Configuration of SICOFI®4-μC

2.2 Pin Definitions and Functions

Table 1 Pin Definitions and Functions

Pin	Symbol	Type	Function	Ch.
1	SI3_1	I	Signaling Input, Channel 3 Pin 1	3
2	SI3_0	I	Signaling Input, Channel 3 Pin 0	3
3	SB3_2	I/O	Bi-directional Signaling, Channel 3 Pin 2	3
4	SB3_1	I/O	Bi-directional Signaling, Channel 3 Pin 1	3
5	SB3_0	I/O	Bi-directional Signaling, Channel 3 Pin 0	3
6	SO3_1	O	Signaling Output, Channel 3 Pin 1	3
7	SO3_0	O	Signaling Output, Channel 3 Pin 0	3
8	SO4_0	O	Signaling Output, Channel 4 Pin 0	4
9	SO4_1	O	Signaling Output, Channel 4 Pin 1	4
10	SB4_0	I/O	Bi-directional Signaling, Channel 4 Pin 0	4
11	SB4_1	I/O	Bi-directional Signaling, Channel 4 Pin 1	4
12	SB4_2	I/O	Bi-directional Signaling, Channel 4 Pin 2	4
13	SI4_0	I	Signaling Input, Channel 4 Pin 0	4
14	SI4_1	I	Signaling Input, Channel 4 Pin 1	4
15	INT34	O	Interrupt Output Channels 3 and 4 Active high.	3, 4
16	CHCLK2	O	Chopper Clock Output 2 Provides 256, 512, or 16384 kHz signal; sync. to MCLK.	all
17	CS#	I	Chip Select Microcontroller Interface chip select, enable to read or write; active low	all
18	DCLK	I	Data Clock Microcontroller Interface data clock, shifts data from or to device; maximum clock rate 8192 kHz.	all
19	DIN	I	Data Input Microcontroller Interface control data input pin; DCLK determines data rate.	all
20	DOUT	O	Data Output Microcontroller Interface control data output pin; DCLK determines data rate: DOUT is high impedance "Z" if no data is transmitted from the SICOFI [®] 4- μ C.	all

Pin Descriptions

Pin	Symbol	Type	Function	Ch.
21	GNDD	I	Digital Ground Ground reference for all digital signals. Internally isolated from GNDA1,2,3,4.	all
22	MCLK	I	Master Clock Input 1536, 2048, 4096 or 8192 kHz must be applied for any operation (selected in Register XR5). MCLK, PCLK, FSC must be synchronous.	all
23	RESET#	I	Reset Input Forces the device to default setting mode; active low.	all
24	V _{DDD}	I	Digital Supply Voltage +5 V supply for digital circuits (use 100 nF blocking cap.).	all
25	TCA#	O	Transmit Control Output A PCM Interface: active if data is transmitted via DXA; active low, open drain.	all
26	DXA	O	Data Transmit to PCM-Highway A PCM Interface: PCM data for each channel is transmitted in 8-bit bursts every 125 μs.	all
27	DRA	I	Data Receive from PCM-Highway A PCM Interface: PCM data for each channel is received in 8-bit bursts every 125 μs.	all
28	TCB#	O	Transmit Control Output B PCM Interface: active if data is transmitted via DXB; active low, open drain.	all
29	DXB	O	Data Transmit to PCM-highway B PCM Interface: data for each channel is transmitted in 8-bit bursts every 125 μs.	all
30	DRB	I	Data Receive from PCM-highway B PCM Interface: data for each channel is received in 8-bit bursts every 125 μs.	all
31	FSC	I	Frame Synchronization Clock 8 kHz; reference for individual time slots, indicates start of PCM frame; MCLK, PCLK, FSC must be synchronous.	all
32	PCLK	I	PCM Data Clock 128 to 8192 kHz; determines the rate at which PCM data is shifted into or out of the PCM-ports. MCLK, PCLK, FSC must be synchronous.	all

Pin Descriptions

Pin	Symbol	Type	Function	Ch.
33	CHCLK1	O	Chopper Clock Output 1 Provides programmable (2 ... 28 ms) output signal (synchronous to MCLK).	all
34	INT12	O	Interrupt Output, Channels 1 and 2 Active high.	1, 2
35	SI1_1	I	Signaling Input Channel 1, Pin 1	1
36	SI1_0	I	Signaling Input Channel 1, Pin 0	1
37	SB1_2	I/O	Bi-directional Signaling, Channel 1 Pin 2	1
38	SB1_1	I/O	Bi-directional Signaling, Channel 1 Pin 1	1
39	SB1_0	I/O	Bi-directional Signaling, Channel 1 Pin 0	1
40	SO1_1	O	Signaling Output, Channel 1, Pin 1	1
41	SO1_0	O	Signaling Output, Channel 1, Pin 0	1
42	SO2_0	O	Signaling Output, Channel 2, Pin 0	2
43	SO2_1	O	Signaling Output, Channel 2, Pin 1	2
44	SB2_0	I/O	Bi-directional Signaling, Channel 2 Pin 0	2
45	SB2_1	I/O	Bi-directional Signaling, Channel 2 Pin 1	2
46	SB2_2	I/O	Bi-directional Signaling, Channel 2 Pin 2	2
47	SI2_0	I	Signaling Input, Channel 2, Pin 0	2
48	SI2_1	I	Signaling Input, Channel 2, Pin 1	2
49	V_{IN1}	I	Analog Voice (Voltage) Input, Channel 1 Requires a coupling capacitor >39 nF to the SLIC.	1
50	GNDA1	I	Analog Ground, Channel 1 Not internally connected to GNDD or GNDA2,3,4.	1
51	V_{OUT1}	O	Analog Voice (Voltage) Output, Channel 1 Requires a coupling capacitor to the SLIC. The capacitor value depends on the SLIC's input impedance. (See Chapter 5.1 Analog Interface)	1
52	V_{DDA12}	I	Analog Supply Voltage, Channels 1 and 2 +5 V (100 nF blocking capacitor required).	1, 2
53	V_{OUT2}	O	Analog Voice (Voltage) Output, Channel 2 Requires a coupling capacitor to the SLIC. The capacitor value depends on the SLIC's input impedance. (See Chapter 5.1 Analog Interface)	2

Pin Descriptions

Pin	Symbol	Type	Function	Ch.
54	GNDA2	I	Analog Ground, Channel 2 Not internally connected to GNDD or GNDA 1,3,4.	2
55	V_{IN2}	I	Analog Voice (Voltage) Input, Channel 2 Requires a coupling capacitor >39 nF to the SLIC.	2
56	V_{REF}	I/O	Reference Voltage Must connect to a 220 nF cap. to ground.	all
57	V_{DDREF}	I	Analog Supply Reference Voltage +5 V (100 nF blocking capacitor required).	all
58	V_{IN3}	I	Analog Voice (Voltage) Input, Channel 3 Requires a coupling capacitor >39 nF to the SLIC.	3
59	GNDA3	I	Analog Ground, Channel 3 Not internally connected to GNDD or GNDA1,2,4.	3
60	V_{OUT3}	O	Analog Voice (Voltage) Output, Channel 3 Requires a coupling capacitor to the SLIC. The capacitor value depends on the SLIC's input impedance. (See Chapter 5.1 Analog Interface)	3
61	V_{DDA34}	I	Analog Supply Voltage, Channels 3 and 4 +5 V (100 nF blocking capacitor required).	3
62	V_{OUT4}	O	Analog Voice (Voltage) Output, Channel 4 Requires a coupling capacitor to the SLIC. The capacitor value depends on the SLIC's input impedance. (See Chapter 5.1 Analog Interface)	4
63	GNDA4	I	Analog Ground, Channel 4 Not internally connected to GNDD or GNDA1,2,3.	4
64	V_{IN4}	I	Analog Voice (Voltage) Input, Channel 4 Requires a coupling capacitor >39 nF to the SLIC.	4

3 Functional Description

The telephone subscriber loop is a bi-directional two-wire line. The Subscriber Line Interface Circuit (SLIC) on the network side converts the two-wire interface to a four-wire interface with separate receive and transmit signals, which connect to the SICOFI[®]4- μ C. The SLIC can be either a transformer or an electronic circuit with operational amplifiers. It must have a defined input impedance towards the subscriber line for maximum signal power transfer and return loss. The requirements for the input impedance vary from country to country and demand impedance matching to the different environments. Country-specific adaptations are also required for the transhybrid loss, which is a loss between the transmit and the receive ports of the two-wire to four-wire hybrid.

3.1 DSP-based Architecture

The impedance matching and transhybrid balancing functions are performed by loop filters between the transmit path (analog to PCM) and the receive path (PCM to analog). The filter characteristics must be adjusted according to the local requirements of each market. In the analog domain, filters must be optimized in hardware; this is generally both tedious and time-consuming. This is not the case with the DSP-based SICOFI[®]4- μ C four-channel codec. Its integrated signal processor implements the impedance matching and transhybrid balancing functions as digital, programmable filters. It also performs frequency response corrections and level adjustments to enable the design of a truly universal and internationally applicable telephone linecard. Transmission characteristics and frequency behavior are enhanced by the accuracy of the digital filters, which do not fluctuate over temperature or with age.

As an additional benefit of its DSP-based architecture, the PEB 2466 also provides two tone generators per channel. An on-chip level-metering unit allows line-characterization without extra hardware; it can also be used to detect specific tones, e.g., modem tones.

3.2 Programming and Control

A very simple Microcontroller Interface is used to program the SICOFI[®]4- μ C functions. The same port provides access to 28 general purpose I/O pins of the Signaling Interface. This allows efficient and convenient monitoring and control of other linecard functions, such as on-/off-hook detection, ground-key detection, switching of ring signals and test relays. The Serial Microcontroller Interface provides a programming and control interface and is generic and non-proprietary for use with any microcontroller. It can be implemented with as few as three signal lines, since the data receive and data transmit pins may be strapped together.

Functional Description

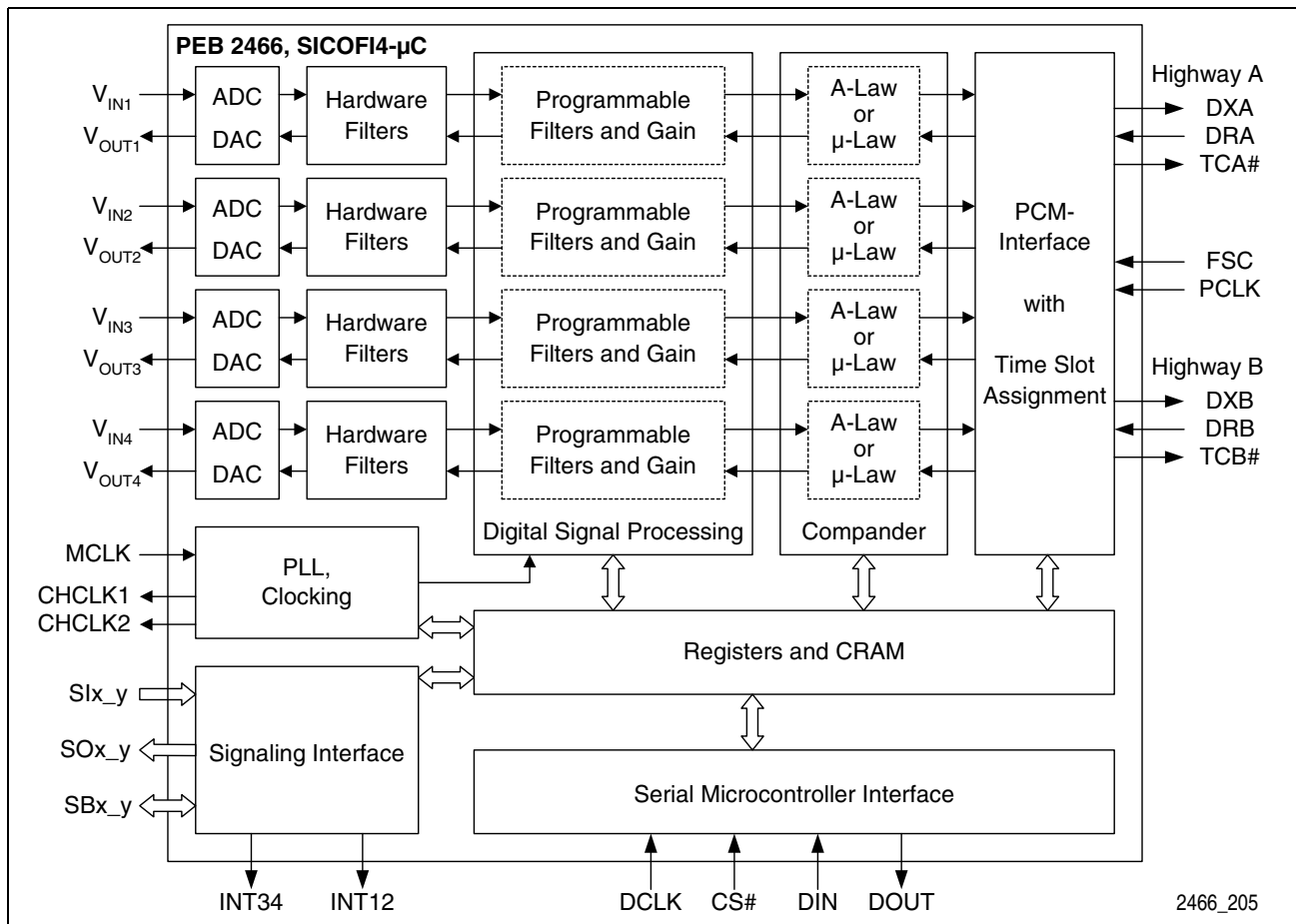


Figure 4 SICOFI[®]4-μC Block Diagram

Figure 4 shows the functional blocks and the interface pins of the SICOFI[®]4-μC:

- Four independent bi-directional voice channels;
- Oversampling sigma-delta A/D and D/A converters with excellent resolution, dynamic range, linearity, accuracy and signal-to-noise performance;
- Hardware filters for decimation and interpolation of the ADC and DAC bit stream, and pre-processing of the voice data to reduce the load of the DSP;
- DSP core with programmable, channel-independent filter structures for impedance matching, transhybrid balancing, frequency correction and level adjustments;
- Configurable A-Law or μ-Law compressor and expander units;
- Two PCM ports with data rates from 128 kbps to 8 Mbps per highway;
- Programmable time slot assignment for each channel;
- twenty-eight signaling input and output pins, accessible through registers;
- On-chip PLL for an internal 16.384 MHz clock;
- Two programmable versatile clock outputs;
- Eight common configuration registers (XR-Registers) affecting all four channels;
- Four sets of six channel-specific registers (CR-Registers); and
- Coefficient RAM (CRAM) for filter coefficients storage for each channel.

4 Operational Description

Each channel of the SICOFI[®]4- μ C can be in one of two stable states: “Standby” and “Operating”. These states can be switched by programming Bit 0 (PU) in the channel-specific configuration register CR1. “Standby” is a power-saving state. Keeping all unused channels in this state reduces the overall system power dissipation. The third state, “Reset”, is transient and is reached after applying power to the device (Power On), after asserting a logic low signal to the RESET#-pin (HW-Reset), or after issuing an XOP command with Bit 7 (RST) set to ‘1’ (SW-Reset). All four channels would be affected in any case.

4.1 Operating States

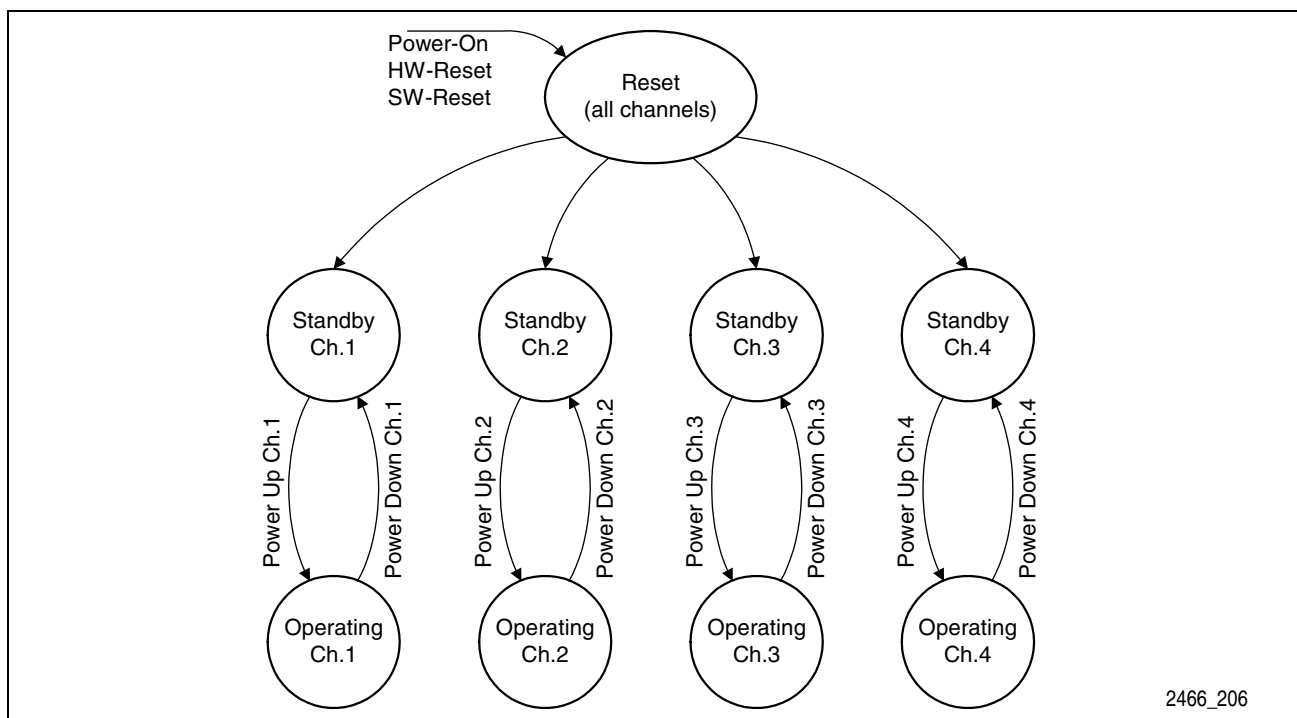


Figure 5 SICOFI[®]4- μ C State Diagram

4.1.1 Power On

All input pins must be at GND level before applying VDD to the SICOFI[®]4- μ C. Otherwise, the device may not enter the Reset State. In this case, the SICOFI[®]4- μ C can be reset by HW- or SW-Reset, or can be initialized by setting all registers to zero.

4.1.2 Hardware Reset

Voltage levels lower than 1.2 V applied to pin 23 (RESET#) for more than 3 μ s will reset the SICOFI[®]4- μ C. Spikes that are shorter than 1 μ s will be ignored. When RESET# is released the SICOFI[®]4- μ C will enter Standby State.

Operational Description

Table 2 Register Values and Accessibility

Register	SICOFI®4-μC State		
	Reset	Standby	Operating
CR0 ... CR4	00 _H	user configurable	user configurable
XR0 ... XR7	00 _H	user configurable	user configurable
CRAM	unchanged	user configurable	user configurable

Table 3 Input and Output Pin Behavior

Pin	SICOFI®4-μC State		
	Reset	Standby	Operating
DIN	ignored	serial input	serial input
DOUT	high impedance	serial output	serial output
DRA, DRB	ignored	ignored	active receive time slot
DXA, DXB	high impedance	high impedance	active transmit time slot
TCA#, TCB#	high	high	low during active transmit time slot
V _{OUT1} , V _{OUT2} V _{OUT3} , V _{OUT4}	high impedance	high impedance	analog output
V _{IN1} , V _{IN2} V _{IN3} , V _{IN4}	ignored	ignored	analog input
SBx _y	configured as input	programmable as input or output	programmable as input or output
SOx _y	GNDD	digital output	digital output
Slx _y	ignored	digital input	digital input
CHCLK1	high	programmable frequency	programmable frequency
CHCLK2	high	programmable freq. (not 16384 kHz)	programmable frequency

Table 4 Power Dissipation

No. of Channels Operating	Typical Power Dissipation
None	2.5 mW
1	70 mW
2	90 mW
3	110 mW
4	130 mW

4.2 Transmission Characteristics

4.2.1 Overload Point

The overload point of the SICOFI[®]4- μ C A/D converters is at 2.223 V. This is the peak amplitude of a sine wave level of 1.572 Vrms. Higher input signal levels will be distorted. Theoretical load capacities for A-Law and μ -Law encoded signals are defined in ITU-T Recommendation G.711. These values correspond to the SICOFI[®]4- μ C overload point:

Table 5 Maximum Signal Levels

Encoding Law	PCM Interface	Analog Interface
	Theoretical Load Capacity (according to ITU-T G.711)	Max. Sine Wave Level (SICOFI [®] 4- μ C Overload Point)
A-Law	3.14 dBm0	1.572 Vrms
μ -Law	3.17 dBm0	

4.2.2 0 dBm0-Levels

The analog voltage levels corresponding to a 0 dBm0 sine wave signal can be calculated from the maximum signal levels shown in **Table 5**.

Table 6 Analog Voltage Levels Corresponding to 0 dBm0-Level

Encoding Law	Analog Sine Wave Level corresponding to 0 dBm0 PCM Level
A-Law	$1.572 \text{ Vrms} \cdot 10^{(-3.14/20)} = 1.095 \text{ V rms}$
μ -Law	$1.572 \text{ Vrms} \cdot 10^{(-3.17/20)} = 1.091 \text{ V rms}$

Note: Periodic PCM codes for a 1 kHz sine wave signal with 0 dBm0 level can be found in ITU-T G.711.

4.2.3 Compressor Gain Relative to Coding Law

The μ -Law compressor unit of the SICOFI[®]4- μ C automatically adds 1.94 dB gain, which has to be considered for the total gain calculation. The accumulated gain of all programmable transmit filters (AX1+AX2+FRX) must not exceed 7 dB if the device is set to μ -Law operation. If the device is set to A-Law operation, then the accumulated gain must not exceed 9 dB.

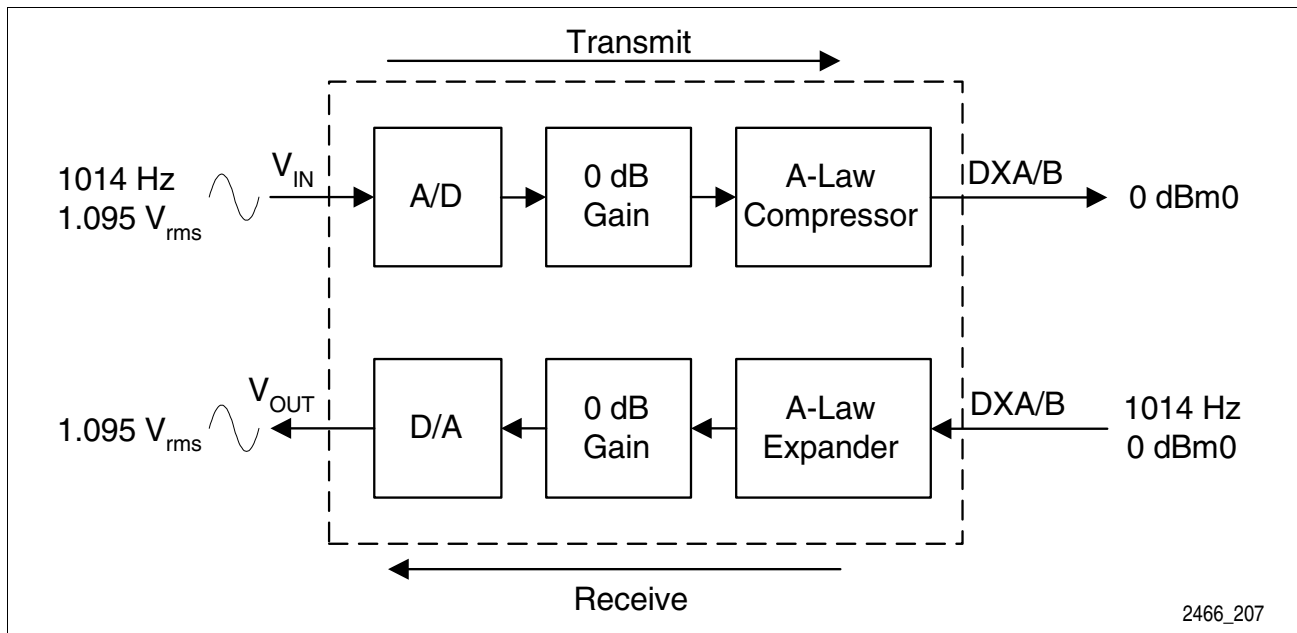


Figure 6 Analog and PCM Signal Levels in A-Law Mode

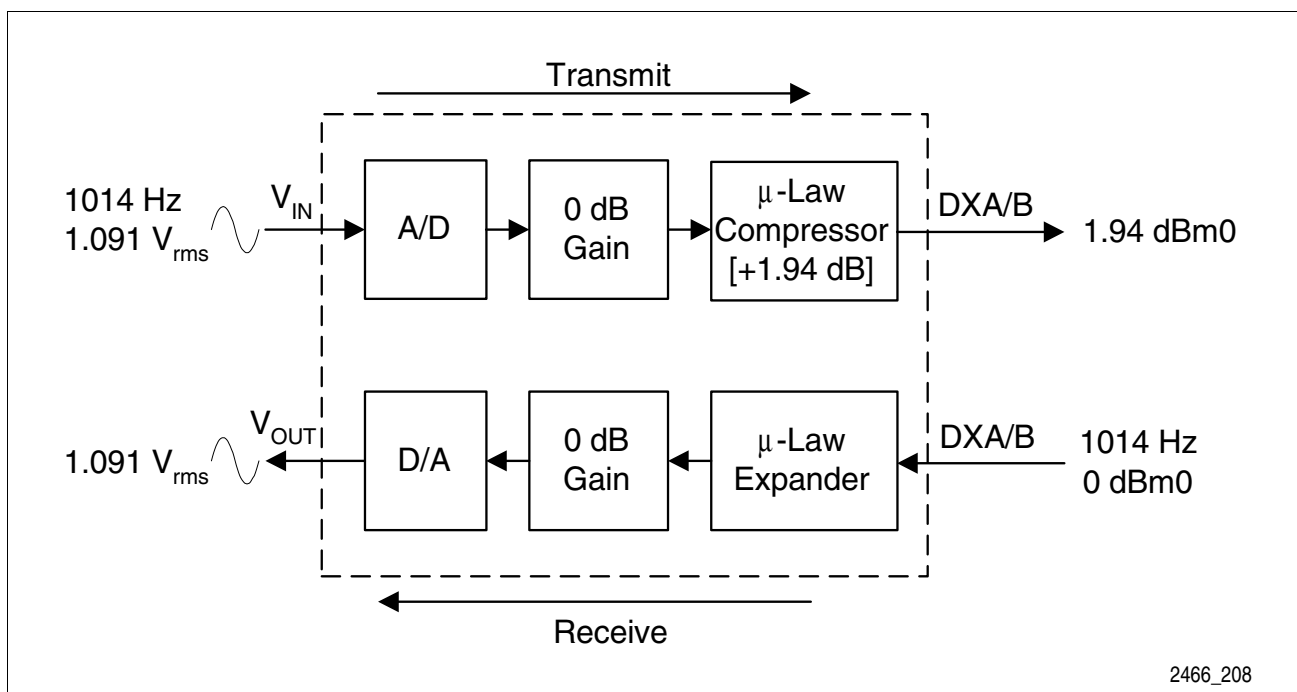


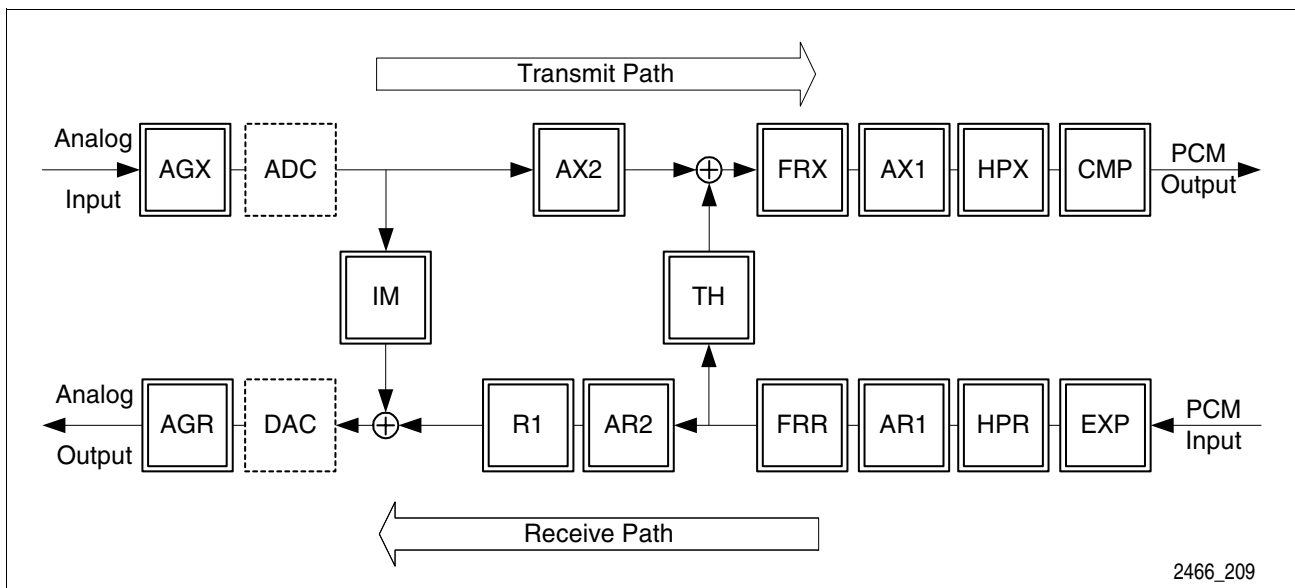
Figure 7 Analog and PCM Signal Levels in μ -Law Mode

4.2.4 Operating Conditions

The specifications to which the SICOFI[®]4- μ C are tested are tighter than the ITU-T Q.552 Specification to guardband various SLIC implementations. The guaranteed transmission characteristics of the SICOFI[®]4- μ C under test conditions ensure that the final linecard design will meet the ITU-T specification.

The figures in this document are based on the subscriber-line board requirements. Proper adjustment of the programmable filters (transhybrid balancing, impedance matching, frequency-response correction) requires a complete knowledge of the analog environment in which the SICOFI[®]4- μ C is to be used. Unless otherwise stated, the transmission characteristics are guaranteed within the following operating conditions:

- $T_A = 0\text{ }^{\circ}\text{C}$ to $70\text{ }^{\circ}\text{C}$ (**PEB 2466**), $T_A = -40\text{ }^{\circ}\text{C}$ to $85\text{ }^{\circ}\text{C}$ (**PEF 2466**);
- $V_{DD} = 5\text{ V} \pm 5\%$;
- $\text{GNDA}_{1,2,3,4} = \text{GNDD} = 0\text{ V}$;
- Load on V_{OUT} : $R_L > 300\ \Omega$; $C_L < 50\text{ pF}$;
- $H(\text{IM}) = H(\text{TH}) = 0$;
- $H(\text{R1}) = H(\text{FRX}) = H(\text{FRR}) = 1$;
- HPR and HPX enabled;
- $\text{AR} = 0$ to -9 dB ($\text{AR} = \text{AR1} + \text{AR2} + \text{FRR} + \text{R1}$);
- $\text{AX} = 0$ to $+9\text{ dB}$ for A-Law,
 $\text{AX} = 0$ to $+7\text{ dB}$ for μ -Law ($\text{AX} = \text{AX1} + \text{AX2} + \text{FRX}$);
- $f = 1014\text{ Hz}$; 0 dBm_0 ; A-Law or μ -Law;
- $\text{AGX} = 0\text{ dB}$, $+6.02\text{ dB}$; and
- $\text{AGR} = 0\text{ dB}$, -6.02 dB .



2466_209

Figure 8 Simplified Signal Flow Diagram

4.2.5 Gain Accuracy

Table 7 Gain Accuracy

Parameter	Symbol	Limit Values			Unit	Test Conditions
		min.	typ.	max.		
Absolute Gain	G	-0.20	± 0.10	+0.20	dB	$T_A = 25\text{ }^\circ\text{C}$, $V_{DD} = 5\text{ V}$, AGX = AGR = 0 dB
Variation with Temperature				± 0.05	dB	$T_A = -40\text{ }^\circ\text{C}$ to $85\text{ }^\circ\text{C}$
Variation with Supply Voltage				± 0.05	dB	$V_{DD} = 5\text{ V} \pm 5\%$
Variation with Analog Gain				± 0.05	dB	AGX= +6.02 dB, AGR= -6.02 dB

4.2.6 Gain Tracking (Receive and Transmit)

The gain deviation for a 1014 Hz sine-wave input signal will stay within limits shown in **Table 8**. All values are relative to the gain of a 0 dBm0 input signal.

Table 8 Gain Deviations with Input Level

Input Level	Symbol	Gain Deviation			Unit	Test Conditions
		min.	typ.	max.		
-55 to -50 dBm0	ΔG			± 1.4	dB	1014 Hz sine-wave test signal. Reference level is at 0 dBm0.
-50 to -37 dBm0	ΔG			± 0.5	dB	
-37 to 3 dBm0	ΔG			± 0.25	dB	

4.2.7 Frequency Response

Table 9 Attenuation with Frequency in Transmit and Receive Direction

Input Frequency	Receive Loss		Transmit Loss		Unit	Test Conditions
	min.	max.	min.	max.		
0 Hz to 100 Hz	0		> 2		dB	0 dBm0 input signal level. 1014 Hz reference frequency
100 Hz to 200 Hz	0		0		dB	
200 Hz to 300 Hz	-0.125		-0.125	1	dB	
300 Hz to 3.0 kHz	-0.125	0.125	-0.125	0.125	dB	
3.0 kHz to 3.2 kHz	-0.125	0.3	-0.125	0.3	dB	
3.2 kHz to 3.4 kHz	-0.125	0.65	-0.125	0.65	dB	
> 3.4 kHz	0		0		dB	

4.2.8 Group Delay

4.2.8.1 Group Delay, Absolute Values

Table 10 shows the limit values for the Absolute Group Delay. The maximum delays are valid when the SICOFI[®]4- μ C is operating with $H(\text{TH}) = H(\text{IM}) = 0$, and $H(\text{FRR}) = H(\text{FRX}) = 1$, and include the delay through the A/D and D/A converters. The typical delays are the average of all different time slot delays during one PCM frame.

Table 10 Group Delay, Absolute Values

Parameter	Symbol	Limit Values			Unit	Test Conditions
		min.	typ.	max.		
Transmit Delay	D_{XA}	300	375	450	μs	0 dBm0 input signal level, f_{Test} at $T_{\text{G min}}$.
Receive Delay	D_{RA}	300	375	450	μs	

4.2.8.2 Group Delay Distortion with Frequency

The Group Delay Distortion in transmit and receive direction will stay within the limits shown in **Table 11**. Group Delay Distortion values are referenced to the minimum value of Group Delay (T_{Gmin}).

Table 11 Group Delay Distortion with Frequency

Frequency	Symbol	Limit Values			Unit	Test Conditions
		min.	typ.	max.		
500 Hz to 600 Hz	Δt_G			300	μs	0 dBm0 input signal level, reference point is at T_{Gmin} .
600 Hz to 1.0 kHz	Δt_G			150	μs	
1.0 kHz to 2.6 kHz	Δt_G			100	μs	
2.6 kHz to 3.0 kHz	Δt_G			300	μs	

4.2.9 Noise

Table 12 Idle Channel Noise in Transmit Direction

Parameter	Symbol	Limit Values			Unit
		min.	typ.	max.	
A-Law, psophometric ($V_{IN} = 0 V$)	N_{TP}			-67.4	dBm0p
μ -Law, C-message ($V_{IN} = 0 V$)	N_{TC}			17.5	dBmc
μ -Law, C-message ($V_{IN} = 0 V$)	N_{TC}			17.5	dBrnC0

Table 13 Idle Channel Noise in Receive Direction

Parameter	Symbol	Limit Values			Unit
		min.	typ.	max.	
A-Law, psophometric (idle code + 0)	N_{RP}		-85	-78.0	dBm0p
μ -Law, C-message (idle code + 0)	N_{RC}		5	12.0	dBmc
μ -Law, C-message (idle code + 0)	N_{RC}		5	12.0	dBrnC0

4.2.10 Harmonic and Intermodulation Distortion

Table 14 Harmonic and Intermodulation Distortion

Parameter	Symbol	Limit Values			Unit	Test Conditions
		min.	typ.	max.		
Harmonic Distortion 2 nd , 3 rd order	<i>HD</i>		-50	-44	dB	0 dBm0; <i>f</i> = 1014 Hz
Intermodulation	<i>R</i> ₂ <i>IMD</i>			-46	dB	Equal-level, 4-tone method (EIA-464) at composite level of -13 dBm0; <i>f</i> = 300 Hz to 3400 Hz
	<i>R</i> ₃ <i>IMD</i>			-56	dB	

4.2.11 Total Distortion

Table 15 Signal-to-Total Distortion Ratio Measured with Sine Wave

Input Level	Symbol	Min. Values		Unit	Test Conditions
		A-Law	μ -Law		
-45 dB	S/D	24.5	27	dB	sine wave <i>f</i> =1014 Hz, receive and transmit, μ-Law: C-message weighted, A-Law: psophometrically weighted.
-40 dB	S/D	29.5	31	dB	
-30 dB	S/D	35.5	35.5	dB	
> -28 dB	S/D	36.4	36.4	dB	

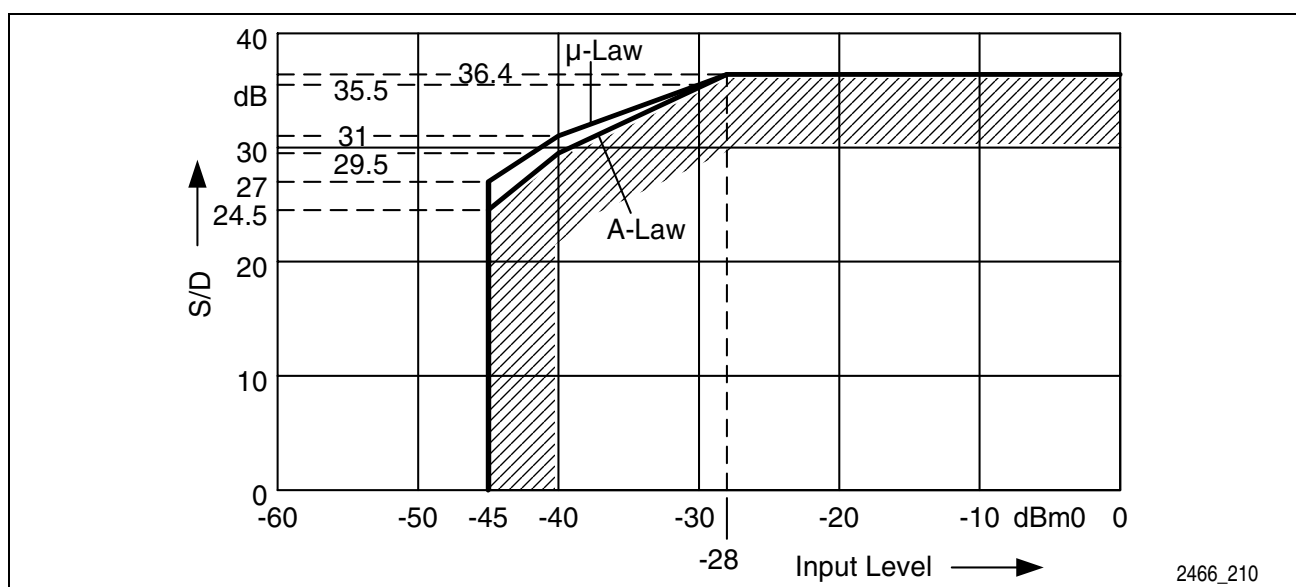


Figure 9 Total Distortion Measured with Sine-Wave, Receive and Transmit

Table 16 Signal-to-Total Distortion Ratio Measured with Noise

Input Level	Symbol	Min. Value, PEB 2466		Min. Value, PEF 2466		Unit
		Receive	Transmit	Receive	Transmit	
-55 dB	S/D	14.7	13.7	14.7	12	dB
-40 dB	S/D	29.7	28.7	29.7	27	dB
-34 dB	S/D	34.3	33.3	34.3	33.3	dB
-27 dB	S/D	36	35.4	36	35.4	dB
-24 to -6 dB	S/D	36.7	36.3	36.7	36.3	dB
-3 dB	S/D	28.4	27.4	28.4	27.4	dB

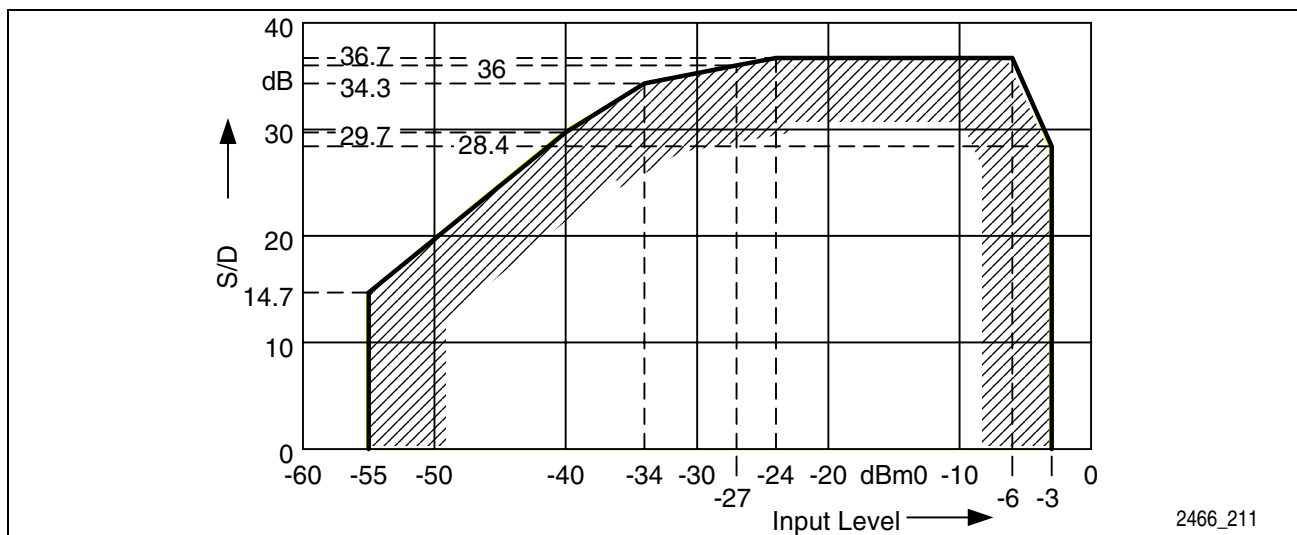


Figure 10 Total Distortion Receive (Noise)

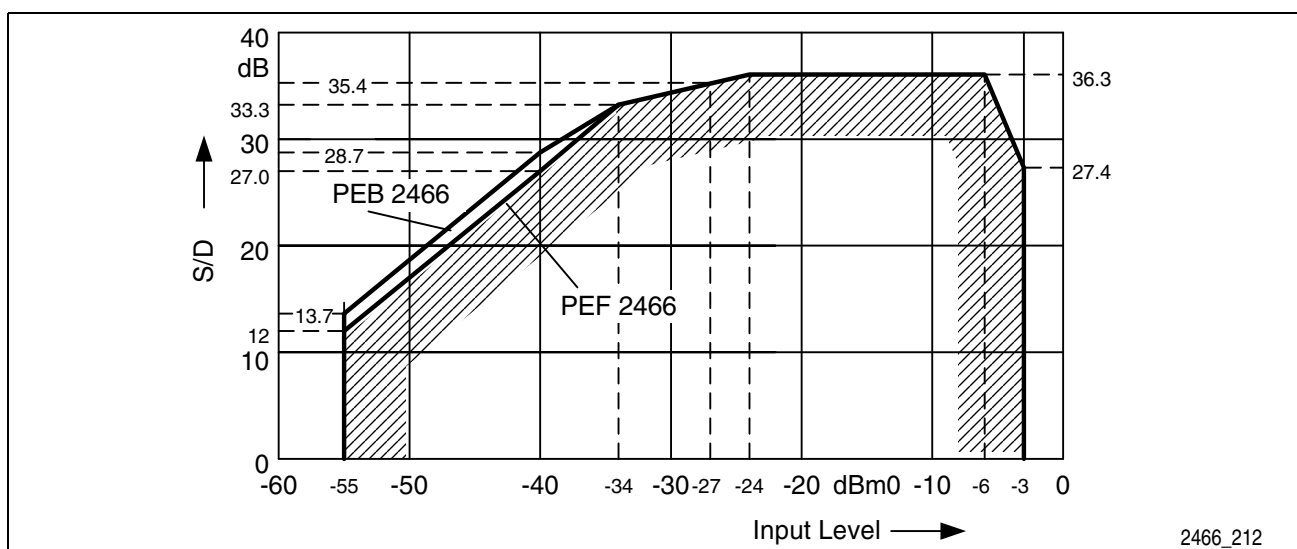


Figure 11 Total Distortion Transmit (Noise)

4.2.12 Single Frequency Distortion

Test Input Signal	Frequency Range	max. Input Level
Receive Direction	300 Hz to 3.4kHz	0 dBm0
Transmit Direction	0 Hz to 12 kHz	0 dBm0

Any resulting signal with a frequency different from the test input signal will stay at least 28 dB below the input signal level.

4.2.13 Overload Compression

This is measured with a 1014 Hz sine-wave signal. The overload point in μ -Law Mode is at 3.17 dBm0.

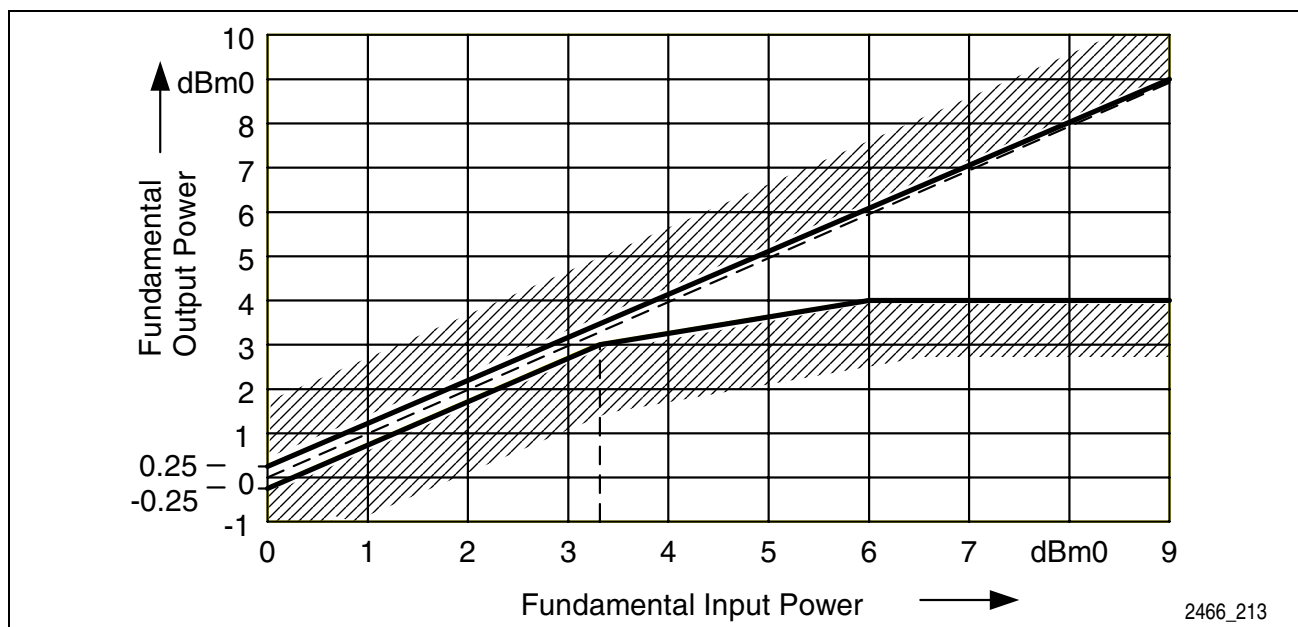


Figure 12 Overload Compression (μ -Law Coding, Transmit Direction)

4.2.14 Crosstalk

Table 17 Crosstalk Between Channels

Parameter	Symbol	Limit Values			Unit	Test Conditions
		min.	typ.	max.		
Crosstalk, 0dBm0	<i>CT</i>		- 85	- 80	dB	$f = 200$ Hz to 3400 Hz, any combination of directions and channels

4.2.15 Out-of-Band Discrimination in Transmit Direction

With any 0 dBm0 sine-wave signal below 100 Hz and in the range from 3.4 kHz to 100 kHz (out-of-band signal) applied to an analog input (V_{INx}), the level of any resulting frequency component at the digital output will stay at least X dB (see **Table 18**) below the output level of a 0 dBm0 1kHz sine-wave reference signal at the analog input.

Table 18 Out-of-Band Signals Applied to the Analog Inputs (V_{INx})

Input Frequency	Min. Output Signal Rejection X	Unit	Test Conditions
0 Hz to 60 Hz	25	dB	0 dBm0 sine-wave input signal on V_{IN}
60 Hz to 100 Hz	10	dB	
3.4 kHz to 4 kHz	$-14 \left(\sin \left(\pi \frac{4000-f}{1200} \right) - 1 \right)$	dB	
4 kHz	15	dB	
4 kHz to 4.6 kHz	$-18 \left(\sin \left(\pi \frac{4000-f}{1200} \right) - \frac{7}{9} \right)$	dB	
4.6 kHz to 100 kHz	40	dB	

The Hardware Filters behind the A/D Converters reject teletax pulses with their poles at 12 kHz \pm 150 Hz and 16 kHz \pm 150 Hz.

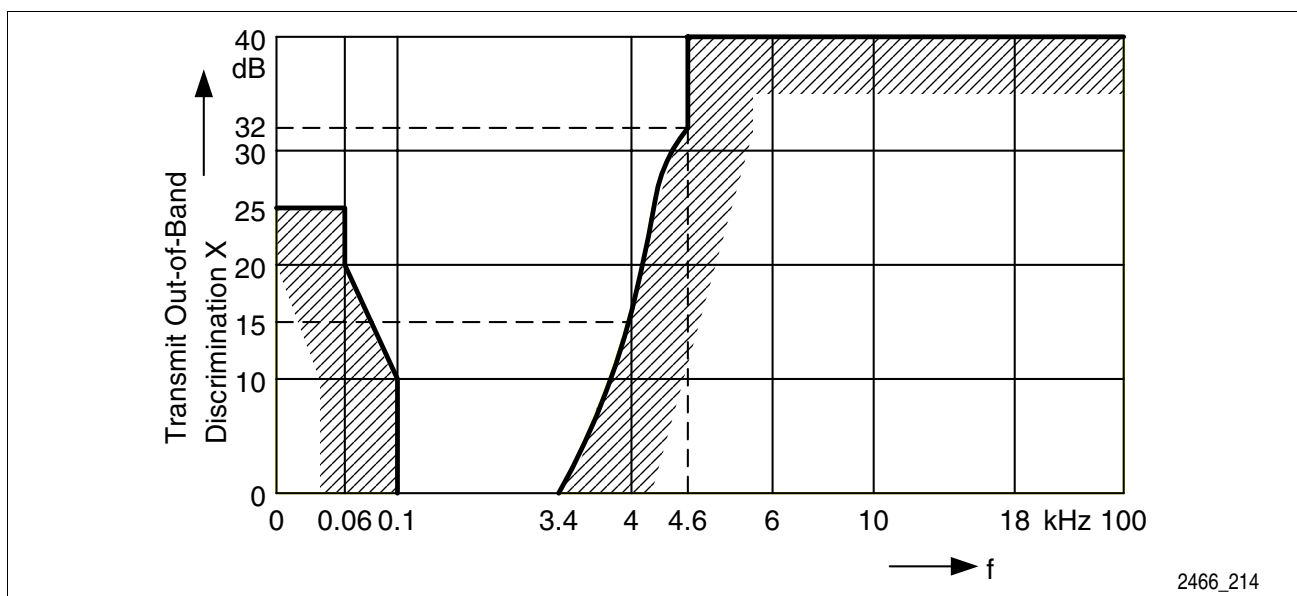


Figure 13 Out-of-Band Discrimination in Transmit Direction

4.2.16 Out-of-Band Discrimination in Receive Direction

With any 0 dBm0 sine-wave frequency in the range from 300 Hz to 3.99 kHz applied to the digital input (PCM time slot), the level of any resulting out-of-band signal at the analog output will stay at least X dB (see **Table 19**) below the output level of a 0 dBm0 1kHz sine-wave reference signal at the digital input.

Table 19 Out-of-Band Signals at the Analog Outputs (V_{OUTx})

Output Frequency	Min. Output Signal Rejection X	Unit	Test Conditions
3.4 kHz to 4.6 kHz	$-14 \left(\sin \left(\pi \frac{4000-f}{1200} \right) - 1 \right)$	dB	0 dBm0 sine-wave input signal on digital input (PCM time slot)
4.6 kHz to 10.55 kHz	$35 + 22 \frac{f-4600}{5950}$	dB	
4 kHz	15	dB	
4.6 kHz	28	dB	
>10.55 kHz	57	dB	

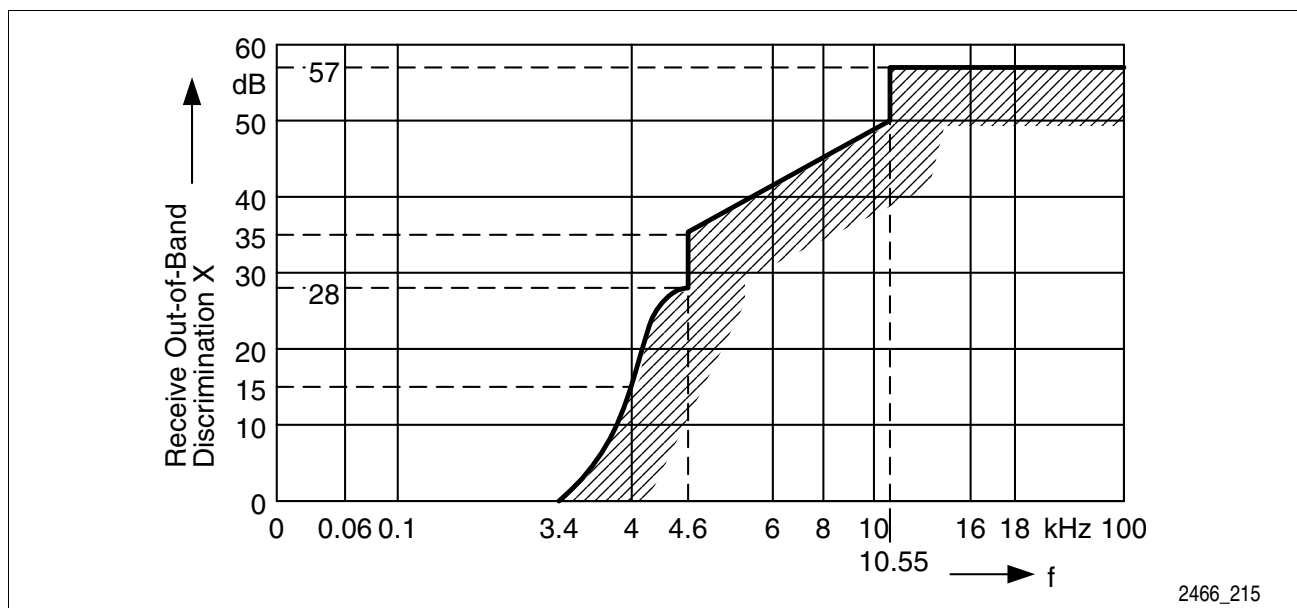


Figure 14 Analog Output: Out-of-Band Signals

4.2.17 Out-of-Band Idle Channel Noise at Analog Output

With an idle code (any sequence of constant PCM octets) applied to the digital input, the level of any resulting out-of-band power spectral density at the analog output, measured with 3 kHz bandwidth, will be not greater than the limit curve shown in **Figure 15**.

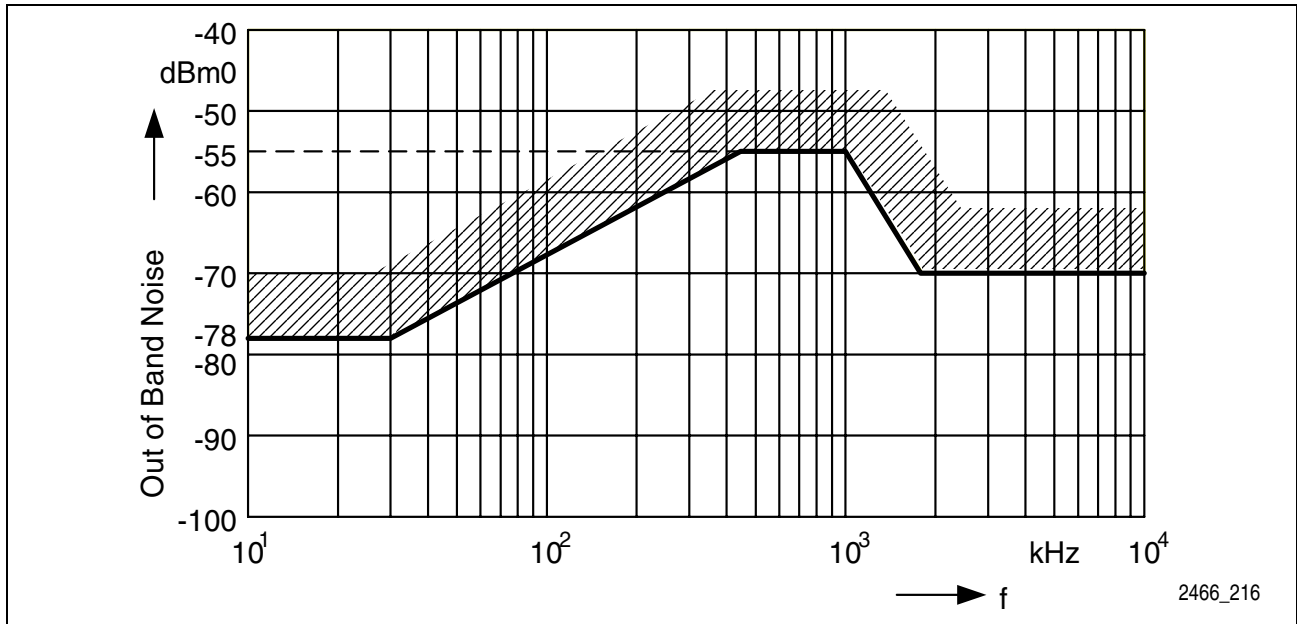


Figure 15 Analog Output: Out-of-Band Idle Channel Noise

4.2.18 Transhybrid Loss

The quality of Transhybrid-Balancing is very sensitive to deviations in gain, group delay, and deviations inherent to the A/D- and D/A-converters, as well as to all external components used on a linecard (SLIC, OP's etc.).

Transhybrid loss test setup:

The SICOFI[®]4- μ C test loop "DLB-ANA" is selected (see **Figure 34**), which connects the analog output with the analog input. The programmable filters FRR, AR, FRX, AX are by-passed. The IM-filter is disabled, ($H(IM)=0$). The balancing filter TH is enabled with optimized coefficients for this configuration ($V_{OUT} = V_{IN}$).

A 0 dBm0 sine wave signal with a frequency in the range of 300 Hz to 3400 Hz is applied to the digital input. The signal levels of the resulting echo at the digital output will stay below the values shown in **Table 20**.

Table 20 Transhybrid Loss

Input Frequency	Symbol	Transhybrid Loss		Unit	Test Condition
		min.	typ.		
300 Hz	THL ₃₀₀	27	40	dB	T _A = 25 °C; V _{DD} = 5 V AGX = AGR = 0 dB; typical variation of amplitude: ± 0.15 dB delay: ± 0.5 μ s.
500 Hz	THL ₅₀₀	30	45	dB	
2500 Hz	THL ₂₅₀₀	29	40	dB	
3000 Hz	THL ₃₀₀₀	27	35	dB	
3400 Hz	THL ₃₄₀₀	27	35	dB	

5 Interface Description

The SICOFI[®]4- μ C provides four interfaces:

- Analog Interface,
- PCM Interface,
- Signaling Interface, and
- Serial Microcontroller Interface.

A general description of these interface is given in the **Product Overview, Chapter 4**. Refer to the **Programmers Reference Manual** for information on the configuration and operation of the four interfaces.

The subsequent chapters in this manual explain how to connect the SICOFI[®]4- μ C to subscriber line interface circuits (SLICs), microcontrollers, and PCM highways.

5.1 Analog Interface

The Analog Interface in combination with a Subscriber Line Interface Circuit (SLIC) forms a configurable tip & ring (t/r) telephone line. The AC transmission characteristic of the SICOFI[®]4- μ C—SLIC combination can be controlled by programming the digital filter structures inside the SICOFI[®]4- μ C. The correct filter coefficients are determined by the targeted AC transmission behavior (e.g. Telco specification) and by the transfer functions of the SLIC.

The SICOFI[®]4- μ C can be interfaced directly to electronic SLICs or transformer solutions. The high driving capability of up to 300 Ohms eliminates the need for an external amplifier that is normally used with transformer SLICs.

The peak amplitude of the analog inputs and outputs is at 2.223 V (overload point).

Out-of-band signals applied to the analog inputs are suppressed by the on-chip digital hardware filters. The poles of these filters are fixed at 12 kHz and 16 kHz which suppresses the echo signal from teletax pulses very efficiently: As long as the amplitude of the teletax echo stays below the overload threshold of 2.223 V_p (1.57 V_{rms}), the voice signal in the transmit path will not be disturbed. Thus, the on-chip hardware filters can eliminate the need for external teletax filters.

5.1.1 Coupling Capacitors at the Analog Interface

A coupling capacitor >39 nF must be used on the V_{IN} -pins in the transmit direction. The required value for the coupling capacitor on the V_{OUT} -pins depends on the input resistance of the SLIC-circuitry (R_{Load}). It has to be chosen to fulfil the frequency response requirement in the receive direction. **Figure 16** can be used to determine an appropriate value for the coupling capacitor (C_{Ext1}).

Interface Description

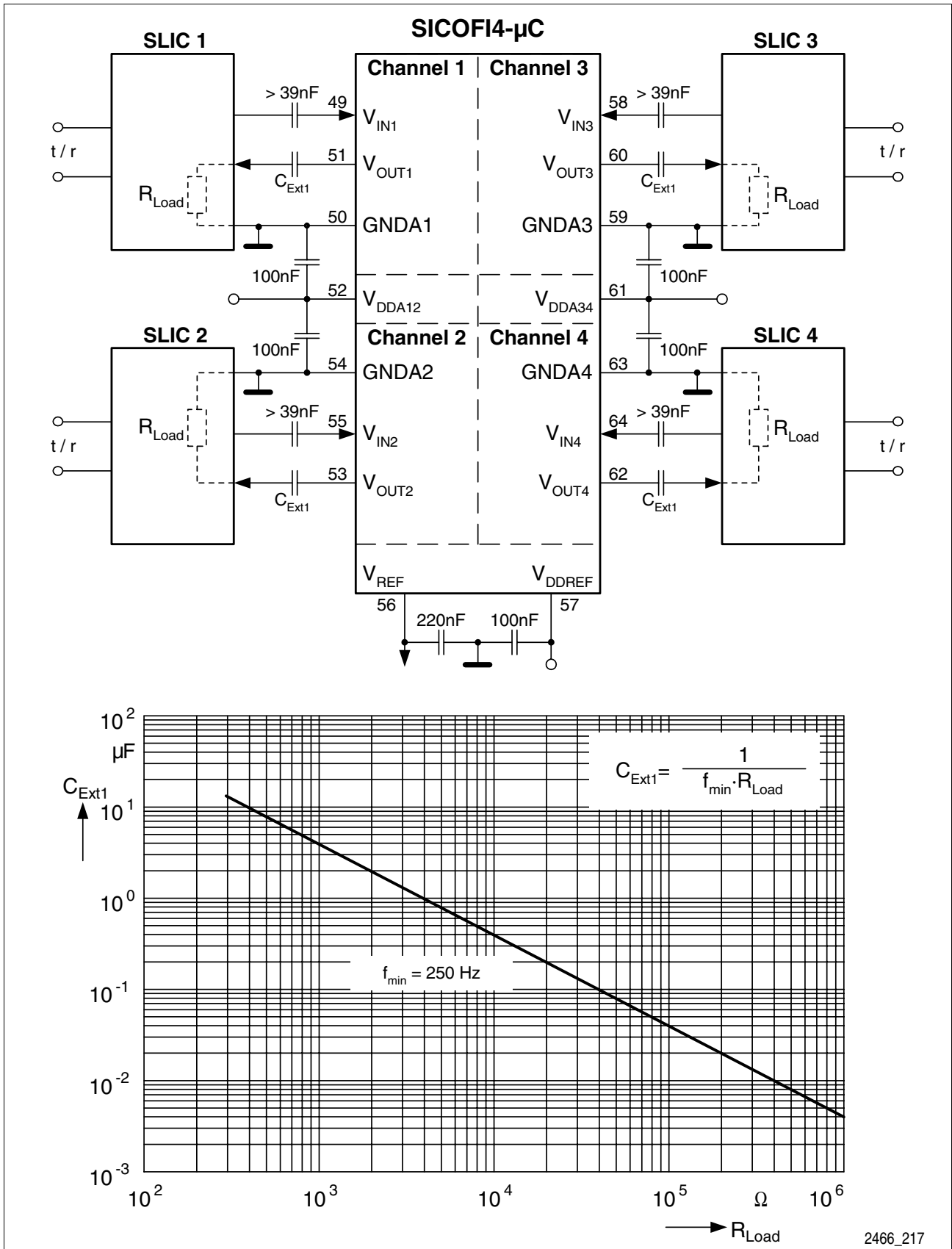


Figure 16 Analog Interface to Four Subscriber Line Interface Circuits (SLICs)

5.1.2 Analog Interface Pins

Table 21 Analog Interface Pins

Symbol	Pin	Function
V_{IN1}	49	Analog Input, Channel 1, 2
V_{IN2}	55	Requires a coupling capacitor >39 nF to the SLIC, see Figure 16 .
V_{IN3}	58	Analog Input, Channel 3, 4
V_{IN4}	64	Requires a coupling capacitor >39 nF to the SLIC, see Figure 16 .
V_{OUT1}	51	Analog Output, Channel 1, 2
V_{OUT2}	53	Requires a coupling capacitor to the SLIC. The capacitor's value depends on the input impedance of the SLIC, see Figure 16 .
V_{OUT3}	60	Analog Output, Channel 3, 4
V_{OUT4}	62	Requires a coupling capacitor to the SLIC. The capacitor's value depends on the input impedance of the SLIC, see Figure 16 .
GND A1	50	Analog Ground, Channel 1, 2
GND A2	54	Not internally connected to GNDD or the other GNDAx.
GND A3	59	Analog Ground, Channel 3, 4
GND A4	63	Not internally connected to GNDD or the other GNDAx.
V_{DDA12}	52	Analog Supply Voltage, Channels 1+2 +5 V (100 nF blocking capacitor required, see Figure 16).
V_{DDA34}	61	Analog Supply Voltage, Channels 3+ 4 +5 V (100 nF blocking capacitor required, see Figure 16).
V_{DDREF}	57	Analog Supply Reference Voltage, +5 V (100 nF blocking capacitor required, see Figure 16).
V_{REF}	56	Reference Voltage Must connect to a 220 nF cap. to ground, see Figure 16 .

5.2 PCM Interface

The SICOFI[®]4- μ C provides an industry–standard PCM Interface with access to two PCM highways. The PCM Interface has the following features:

- Data rate from 128 kbit/s to 8 Mbit/s per highway,
- 2 to 128 time slots per frame per highway,
- PCM data format serialized 8 bits with MSB first,
- Configurable A-Law or μ -Law coding,
- Independently configurable time slot and highway for each channel and direction,
- PCM clock speed of once or twice the bit rates,
- Programmable sampling slopes, and
- Programmable frame delay.

5.2.1 PCM Interface Pins

Table 22 PCM Interface Pins

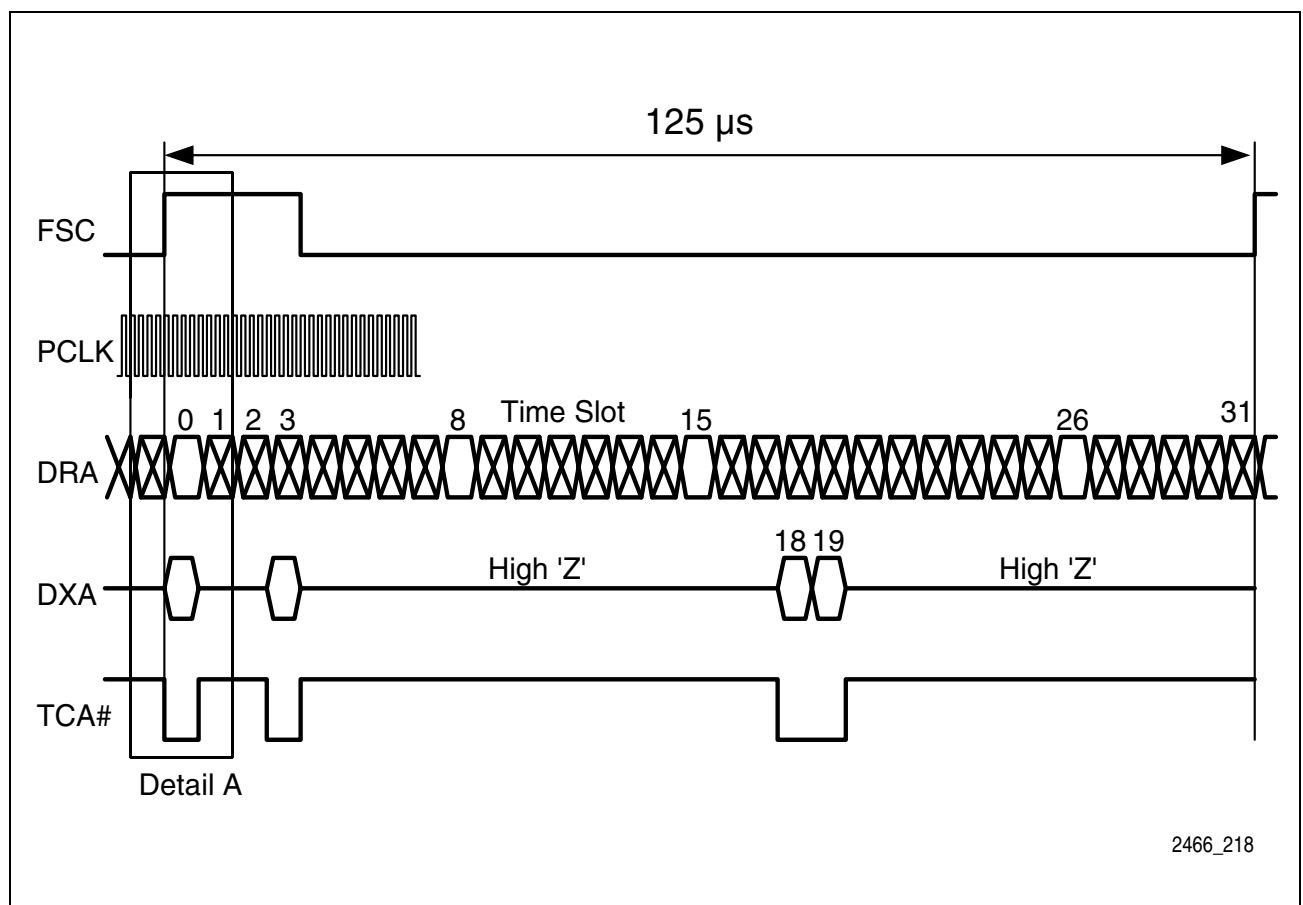
Symbol	Pin	Function
PCLK	32	PCM-Clock, 128 kHz to 8192 kHz; shared for both highways.
FSC	31	Frame Synchronization Clock, 8 kHz; shared for both highways.
DRA	27	Receive Data input for PCM-highway A.
DRB	30	Receive Data input for PCM-highway B.
DXA	26	Transmit Data output for PCM-highway A, open drain.
DXB	29	Transmit Data output for PCM-highway B, open drain.
TCA#	25	Transmit Control output for highway A, low when DXA is active.
TCB#	28	Transmit Control output for highway B, low when DXB is active.

5.2.2 PCM Receive and Transmit Example

Figure 17 and **Figure 18** illustrate the time slot and bit positions resulting from the programming example below:

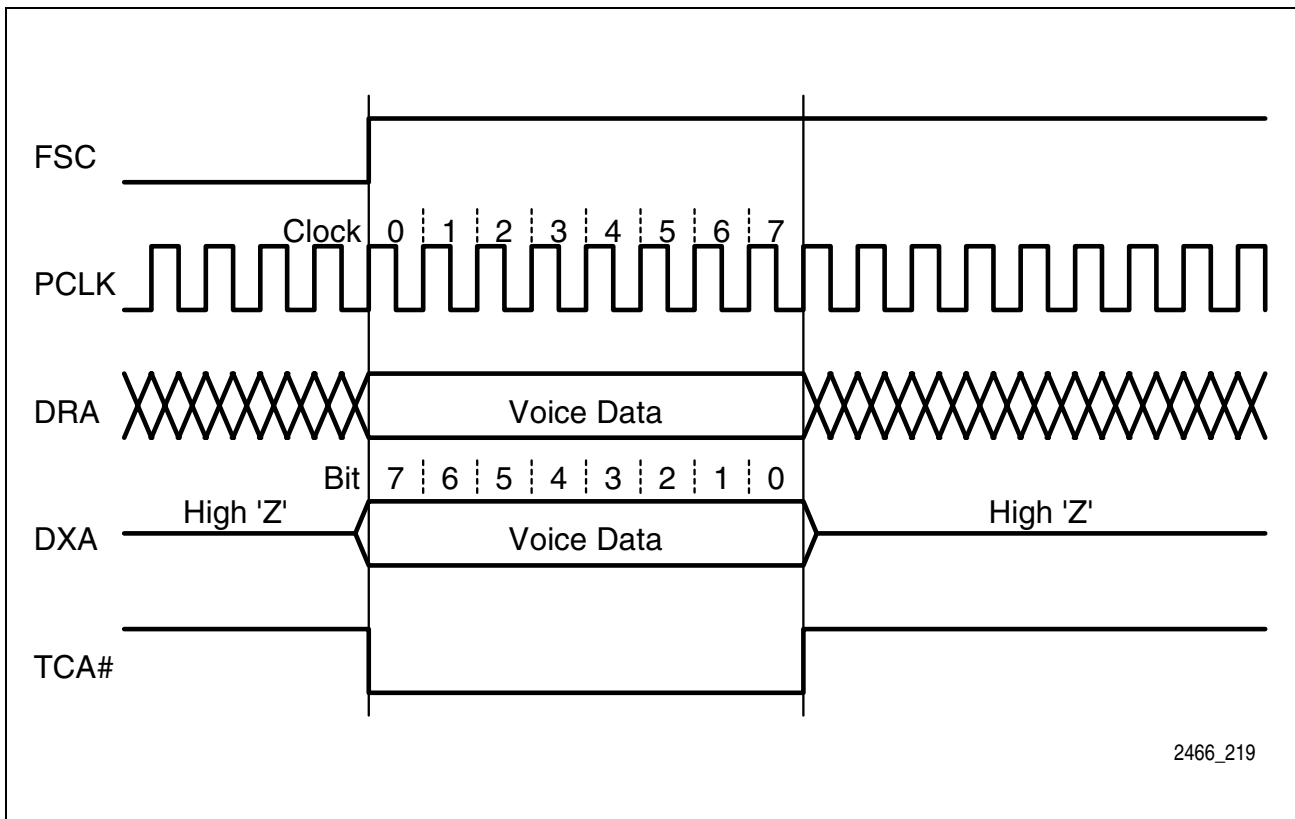
Table 23 PCM Register Configuration Example

Channel	CR4	Receive Setting	CR5	Transmit Setting
1	0000 0000	DRA, time slot 0	0000 0000	DXA, time slot 0
2	0000 1111	DRA, time slot 15	0001 0010	DXA, time slot 18
3	0000 1000	DRA, time slot 8	0001 0011	DXA, time slot 19
4	0001 1010	DRA, time slot 26	0000 0011	DXA, time slot 3
all	XR6=0000 0000; single clock mode, no PCM offset; PCLK=2048 kHz.			



2466_218

Figure 17 PCM Interface Example: Location of Time Slots



2466_219

Figure 18 PCM Interface Example: Detail A

The pins DRA/B and DXA/B may be strapped together to form a multiplexed bi-directional PCM port.

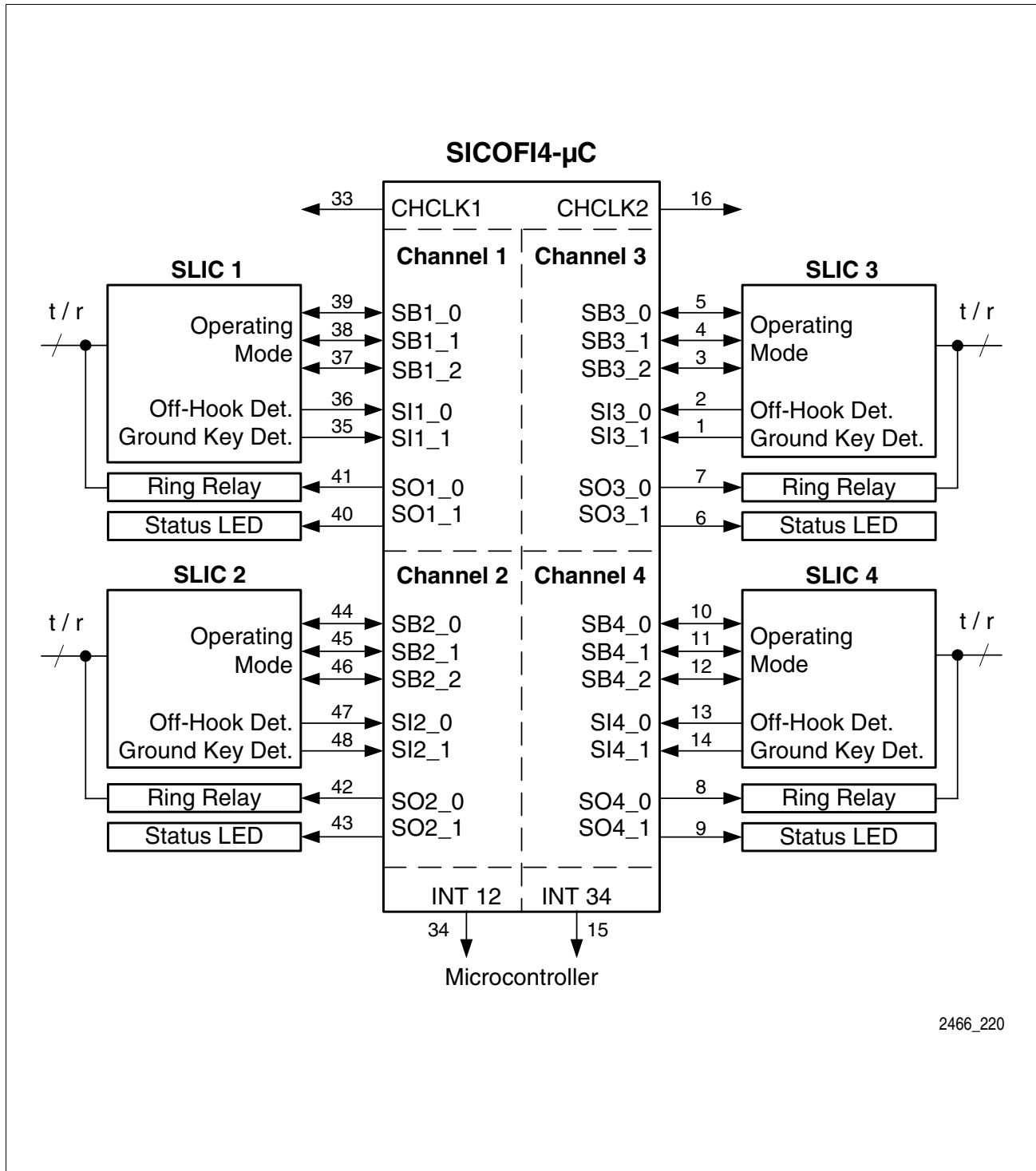
5.3 Signaling Interface

The SICOFI[®]4- μ C Signaling Interface is used to monitor and control supervision and signaling functions on up to four subscriber lines. The device generates interrupt signals to indicate signaling status changes on any of the input pins.

The Signaling Interface consists of the following I/O pins and functions:

- 28 signaling pins (2 input pins, 2 output pins, and 3 user-configurable bi-directional pins per channel),
- Debouncing functions,
- 2 interrupts (one for each channel-pair), and
- 2 clock output signals (user configurable).

5.3.1 Signaling Interface Pins



2466_220

Figure 19 Signaling Example: Four Subscriber Lines

Table 24 Signaling Interface: Pins and Functions for SLIC Interfaces

Symbol	Pin				Function
	Ch1	Ch2	Ch3	Ch4	
Slx_0	36	47	2	13	Signaling Input Channel x, Pin 0.
Slx_1	35	48	1	14	Signaling Input Channel x, Pin 1.
SOx_0	41	42	7	8	Signaling Output, Channel x, Pin 0.
SOx_1	40	43	6	9	Signaling Output, Channel x, Pin 1.
SBx_0	39	44	5	10	Bi-directional Signaling, Channel x, Pin 0.
SBx_1	38	45	4	11	Bi-directional Signaling, Channel x, Pin 1.
SBx_2	37	46	3	12	Bi-directional Signaling, Channel x, Pin 2.
INT12	34		-		Interrupt Output, Channels 1+2, active high.
INT34	-		15		Interrupt Output, Channels 3+4, active high.

5.3.2 Debouncing Functions and Interrupt Generation

All signaling inputs are sampled at programmable intervals (Field N in register XR4). If all the inputs assigned to one channel-pair (1&2 or 3&4) have been stable for two subsequent samples their values are stored in the signaling registers and the associated interrupt output (INT12 or INT34) is set high. Refer to the *Programmer's Reference Manual* for further details on this function.

5.3.3 Clock Output Signals

Two programmable Chopper Clock Output signals are provided by the PEB 2466:

- CHCLK1 (Pin 33) is configured in register XR4.Field T (bits XR4.3 to XR4.0)
- CHCLK2 (Pin 16) is configured in register XR5.CHCLK2 (bits XR5.3 and XR5.2)
- Both Chopper Clock Output signals are only available if a valid Master Clock signal is applied to pin MCLK.
- CHCLK2 = 16,384 kHz: Requires at least one channel in POWER-UP state.

Table 25 Clock Programming

CHCLK1		CHCLK2	
XR4.Field T	Output (Pin 33)	XR5.CHCLK2	Output (Pin 16)
0000	High level (+5V)	00	High level (+5V)
0001 to 1110	Clock period = T *2ms (min. 2 ms, max. 28 ms)	01	512 kHz signal
		10	256 kHz signal
1111	Low level (0V)	11	16384 kHz signal

5.4 Serial Microcontroller Interface

The Serial Microcontroller Interface is used to access the SICOFI[®]4- μ C's internal registers and the Coefficient RAM (CRAM). The Serial Microcontroller Interface consists of four pins: two data pins (DIN, DOUT), one clock pin (DCLK) and one pin for chip select (CS#). If DIN and DOUT are strapped together, only three microcontroller I/O pins are required to build this interface.

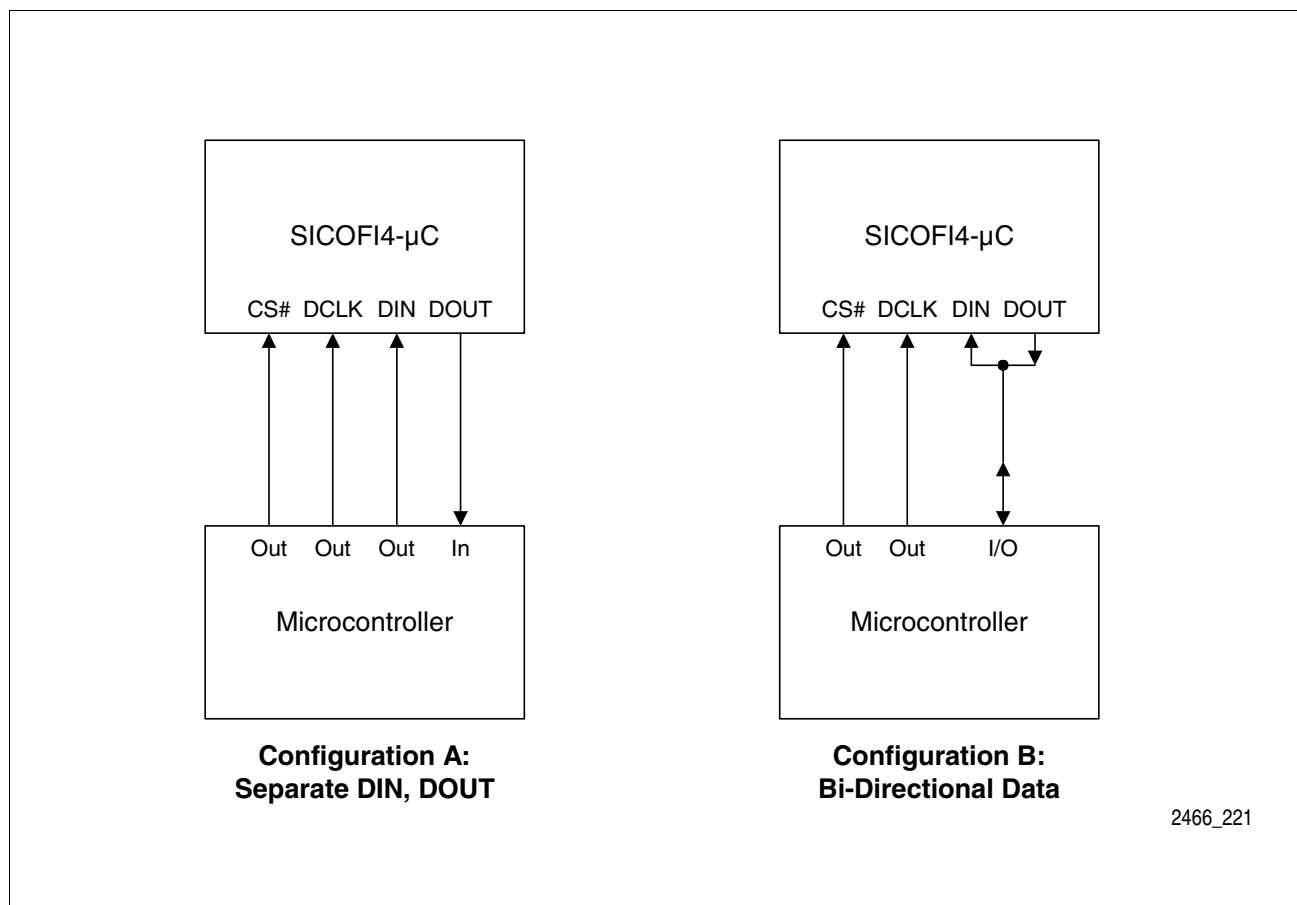


Figure 20 Serial Microcontroller Interface

5.4.1 Serial Microcontroller Interface Pins

Table 26 Serial Microcontroller Interface: Pins and Functions

Symbol	Pin	Function
CS#	17	Chip Select, enable to read or write data, active low.
DCLK	18	Data Clock, shifts data from or to device; max. clock rate is 8192 kHz.
DIN	19	Control Data Input; sampled with rising edge of DCLK.
DOUT	20	Control Data Output; bits are shifted with the falling edge of DCLK; DOUT is in high impedance state when no data is transmitted from the SICOFI [®] 4- μ C.

5.4.2 Write Access

Following a falling edge of CS#, the first eight bits received on DIN specify the type of command. The data bytes following a write command are stored in the selected configuration registers or the selected part of the Coefficient RAM. The number of data bytes depends on the type of command. After every command CS# must be set to '1'.

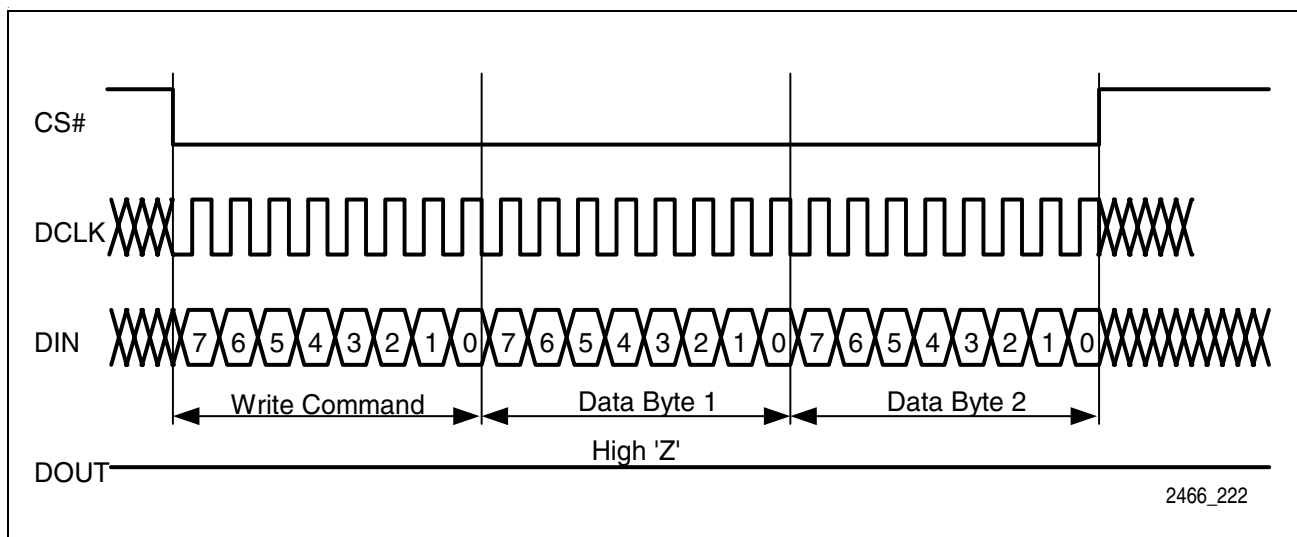


Figure 21 Example for a Two-Byte Write Access

5.4.3 Read Access

If the first eight bits received via DIN represent a read command, the SICOFI[®]4- μ C will initiate its response via DOUT. An identification byte (81_H) is followed by the requested number of data bytes (contents of configuration registers or contents of the CRAM). During execution of a read command, the device will ignore data on DIN. After every command CS# must be set to '1'.

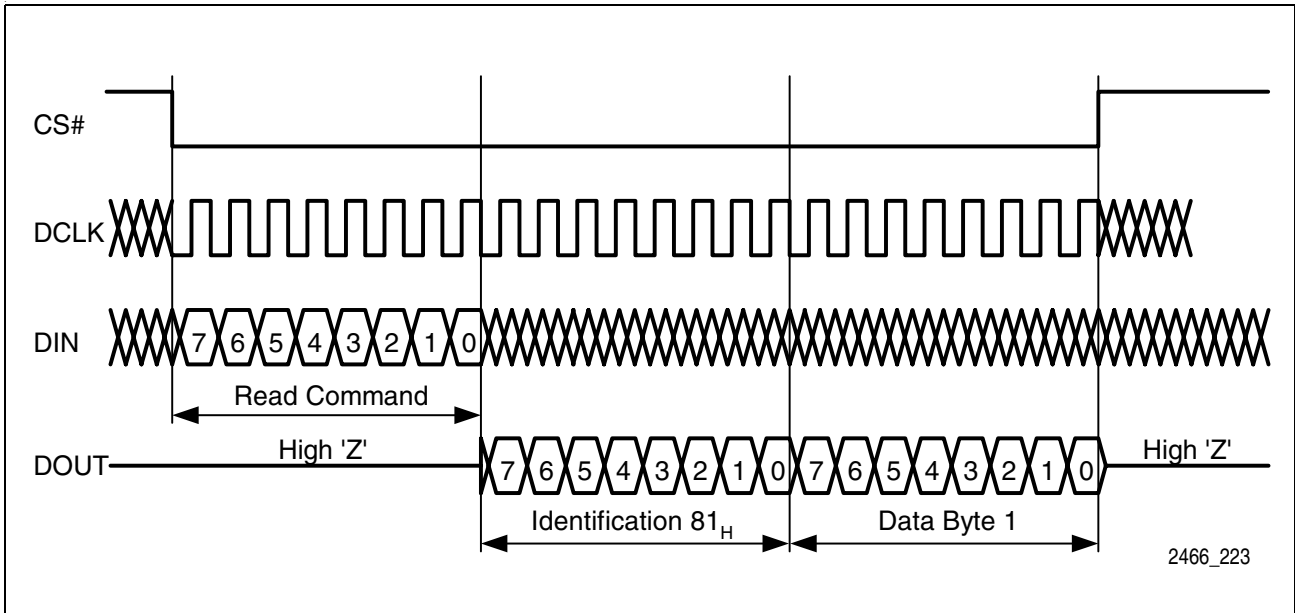


Figure 22 Example for a One-Byte Read Access

For byte-by-byte transfer, the high time of DCLK can be prolonged, resulting in a user-defined ‘waiting time’ between bytes. This mechanism can be used for writing to and reading from the device.

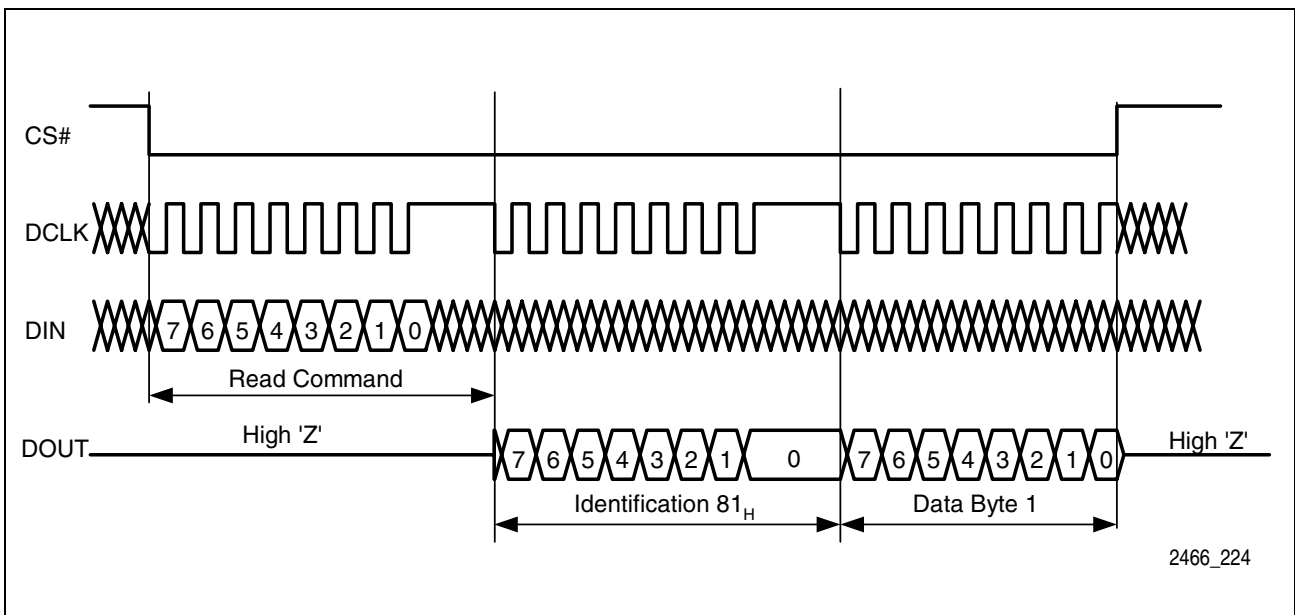


Figure 23 Example for a Read Access with Byte-by-Byte Transfer

Read and write commands can be chained by leaving CS# low after the completion of each command sequence.

For read or write access to individual registers, the command sequence may be terminated by rising CS# after the transmission of any number of bytes.

5.4.4 Three-Wire Access

DIN and DOUT may be strapped together and connected to a single I/O pin of the microcontroller. The interface remains fully functional with only three wire connections. After every command CS# must be set to '1'.

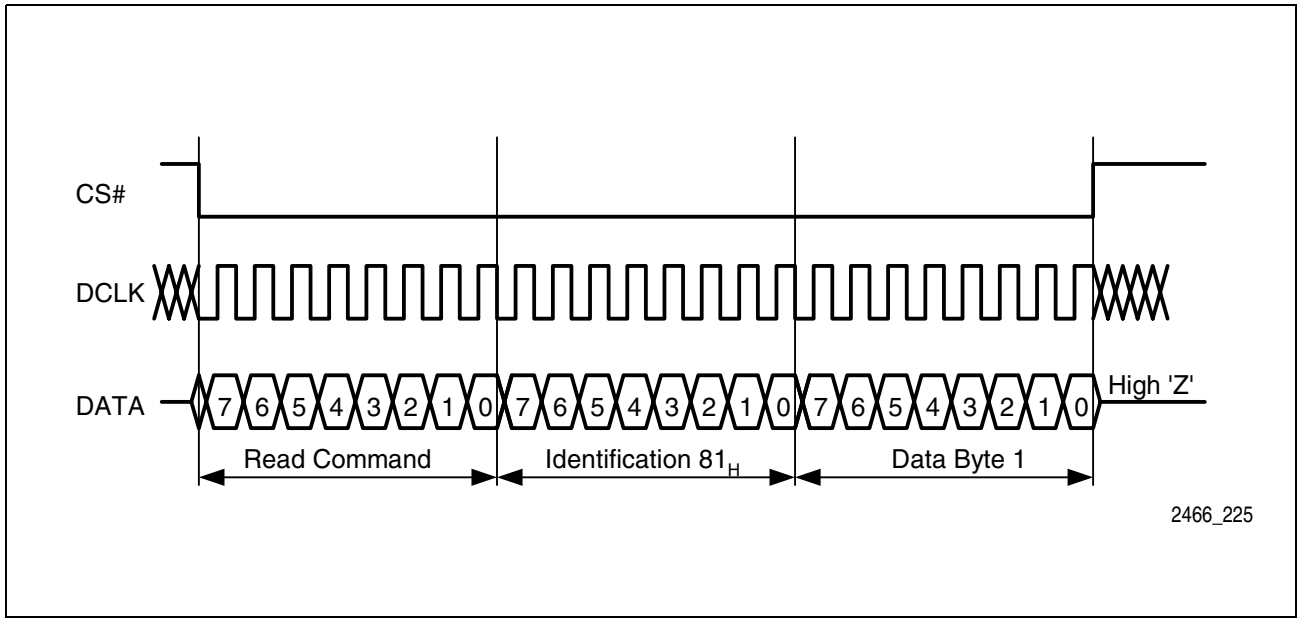


Figure 24 Bi-Directional Data Signal: DIN and DOUT Strapped Together

6 Programming Overview

The transmission characteristics and interfaces of the PEB 2466 can be adapted to various environments. Configuring the functional blocks and programming the digital filter behavior is accomplished by loading values to the Configuration Registers and the Coefficient RAM (CRAM). Software utilities are available to determine the appropriate register and CRAM values (see *Programmer's Reference Manual*).

6.1 Programming Overview

The SICOFI[®]4- μ C has eight Common Configuration Registers (XR0 to XR7). Settings in these registers affect all four channels.

Each of the four channels has six Channel-Specific Configuration Registers (CR0 to CR5). Settings in these registers affect only the designated channel.

The filters of each channel are individually programmable through channel-specific coefficients in CRAM. There are four global sets of TH Filter coefficients that can be assigned to any channel.

6.1.1 Register Model

Channel-specific and Common Configuration Registers and coefficients are shown in **Table 27**.

Table 27 Register Model

Channel 1	Channel 2	Channel 3	Channel 4	Type
XR0 to XR7 (8 bytes)				common
CR0 to CR5 (6 bytes)	CR0 to CR5 (6 bytes)	CR0 to CR5 (6 bytes)	CR0 to CR5 (6 bytes)	channel-specific
IM, FRR, FRX, AR, AX, TG1, TG2 Coefficients (48 bytes)	IM, FRR, FRX, AR, AX, TG1, TG2 Coefficients (48 bytes)	IM, FRR, FRX, AR, AX, TG1, TG2 Coefficients (48 bytes)	IM, FRR, FRX, AR, AX, TG1, TG2 Coefficients (48 bytes)	
TH Coefficient Set 1 (24 bytes)				one coefficient set per channel
TH Coefficient Set 2 (24 bytes)				
TH Coefficient Set 3 (24 bytes)				
TH Coefficient Set 4 (24 bytes)				

6.1.2 Register Maps

Table 28 Read Access to Common Configuration Register (XR) Map

	Bit 7	Bit 6	Bit 5	Bit 4	Bit 3	Bit 2	Bit 1	Bit 0
XR0	SI4_1	SI4_0	SI3_1	SI3_0	SI2_1	SI2_0	SI1_1	SI1_0
XR1	SB4_1	SB4_0	SB3_1	SB3_0	SB2_1	SB2_0	SB1_1	SB1_0
XR2	PSB4_1	PSB4_0	PSB3_1	PSB3_0	PSB2_1	PSB2_0	PSB1_1	PSB1_0
XR3	SB4_2	SB3_2	SB2_2	SB1_2	PSB4_2	PSB3_2	PSB2_2	PSB1_2
XR4	Signal Debounce				CHCLK1			
XR5	MCLK-SEL		CRSH-A	CRSH-B	CHCLK2		Version	
XR6	C-Mode	X-S	R-S	DRV_0	Shift	PCM-OFFSET		
XR7	OF7	OF6	OF5	OF4	OF3	OF2	OF1	OF0

Table 29 Write Access to Common Configuration Register (XR) Map

	Bit 7	Bit 6	Bit 5	Bit 4	Bit 3	Bit 2	Bit 1	Bit 0
XR0	SO4_1	SO4_0	SO3_1	SO3_0	SO2_1	SO2_0	SO1_1	SO1_0
XR1	SB4_1	SB4_0	SB3_1	SB3_0	SB2_1	SB2_0	SB1_1	SB1_0
XR2	PSB4_1	PSB4_0	PSB3_1	PSB3_0	PSB2_1	PSB2_0	PSB1_1	PSB1_0
XR3	SB4_2	SB3_2	SB2_2	SB1_2	PSB4_2	PSB3_2	PSB2_2	PSB1_2
XR4	Signal Debounce				CHCLK1			
XR5	MCLK-SEL		CRSH-A	CRSH-B	CHCLK2		Version	
XR6	C-Mode	X-S	R-S	DRV_0	Shift	PCM-OFFSET		
XR7	OF7	OF6	OF5	OF4	OF3	OF2	OF1	OF0

Table 30 Channel-Specific Configuration Register (CR) Map (Read & Write)

	Bit 7	Bit 6	Bit 5	Bit 4	Bit 3	Bit 2	Bit 1	Bit 0
CR0	TH	IM/R1	FRX	FRR	AX	AR	TH-SEL	
CR1	ETG2	ETG1	PTG2	PTG1	LAW	0	0	PU
CR2	COT/R			0	IDR	LM	LMR	V+T
CR3	TEST-Loops				AGX	AGR	D-HPX	D-HPR
CR4	R-way	RS6	RS5	RS4	RS3	RS2	RS1	RS0
CR5	X-way	XS6	XS5	XS4	XS3	XS2	XS1	XS0

6.1.3 CRAM Structure

Coefficient RAM (CRAM) is used to store the individual coefficients calculated for each channel. The coefficients can be written and read through the Microcontroller Interface. The IM, FRX, FRR, AX, AR, TG1, TG2, and TH coefficients are accessed through the Coefficient Operation (COP) Command Sequences which include the channel address (see *Programmer's Reference Manual Chapter 6.5*).

Channel-specific coefficients always belong to their designated channel. Common coefficients (TH) can be assigned to any of the four channels through field TH-SEL in CR0 (see **Figure 25**).

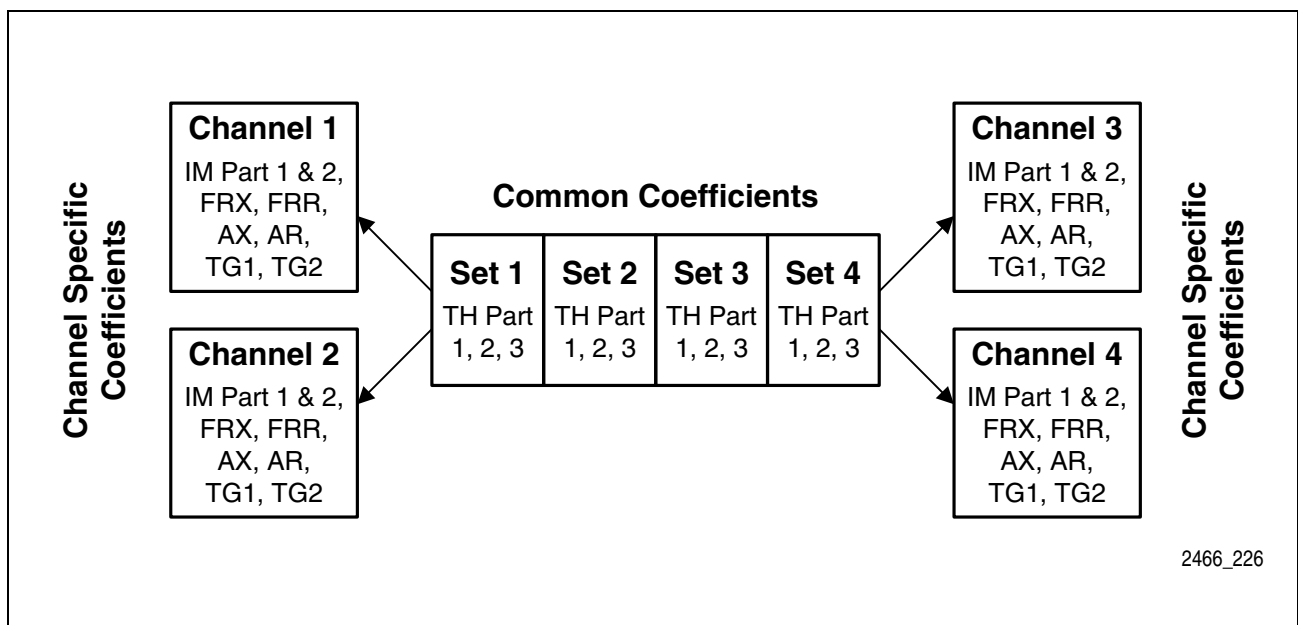


Figure 25 Channel-Specific and Common Coefficients

Table 31 Coefficient RAM (CRAM) Structure per Channel

IM Part 1	8 Coefficient Bytes
IM Part 2	8 Coefficient Bytes
FRX	8 Coefficient Bytes
FRR	8 Coefficient Bytes
AX	4 Coefficient Bytes
AR	4 Coefficient Bytes
TG1	4 Coefficient Bytes
TG2	4 Coefficient Bytes

Table 32 Coefficient RAM (CRAM) Structure per Set

TH Part 1	8 Coefficient Bytes
TH Part 2	8 Coefficient Bytes
TH Part 3	8 Coefficient Bytes

6.2 Types of Commands and Data Bytes

Coefficients and register contents are programmed and accessed through command sequences via the Microcontroller Interface. There are three types of command sequences:

- **Extended Operation (XOP)** for access to the Common Configuration Registers (XR0 to XR7) including the Control Registers for the signaling interface.
- **Status Operation (SOP)** for access to the Channel-Specific Registers (CR0 to CR5), e.g. enabling and disabling of filters, time slot assignment, and test loops.
- **Coefficient Operation (COP)** for access to the CRAM structures. Coefficients can be written to the SICOFI[®]4- μ C, and also read back.

Table 33 Types of Commands and Data Bytes.

	7	6	5	4	3	2	1	0
XOP	RST	0	RW	1	1	LSEL		
SOP	AD		RW	1	0	LSEL		
COP	AD		RW	0	CODE			

With the first byte received via DIN, a command type is selected through bits 3 and 4. A two-bit address field (AD) in the COP and SOP commands allows access to the channel-specific structures (CRAM and CR registers). Since the XR Registers are common for all channels, no address field is required within the XOP command byte.

All three commands allow read and write access, which is indicated by bit 5 (RW). The bit fields LSEL and CODE specify the type and the length of data that follows the command.

7 Application Hints

7.1 Support Tools

7.1.1 Development Board

The Evaluation Package EASY 2466 includes the following hardware:

- One SICOFI[®]4- μ C Evaluation Board STUT 2466 with connectors for four optional SLIC daughter cards and BNC connectors to a PCM backplane.
- One microcontroller board EVC50x with RS-232 interface that translates data from a PC to SICOFI[®]4- μ C format.
- Two SLIC Babyboards STUT 5502 with HARRIS SLIC HC 5502 mounted.

The QSICOS software enables the calculation of the coefficients and the download of the setup file to the evaluation board.

This setup allows measurements and optimization of the actual behavior of a complete transmission system. The EASY 2466 evaluation system connects directly to industry-standard test equipment.

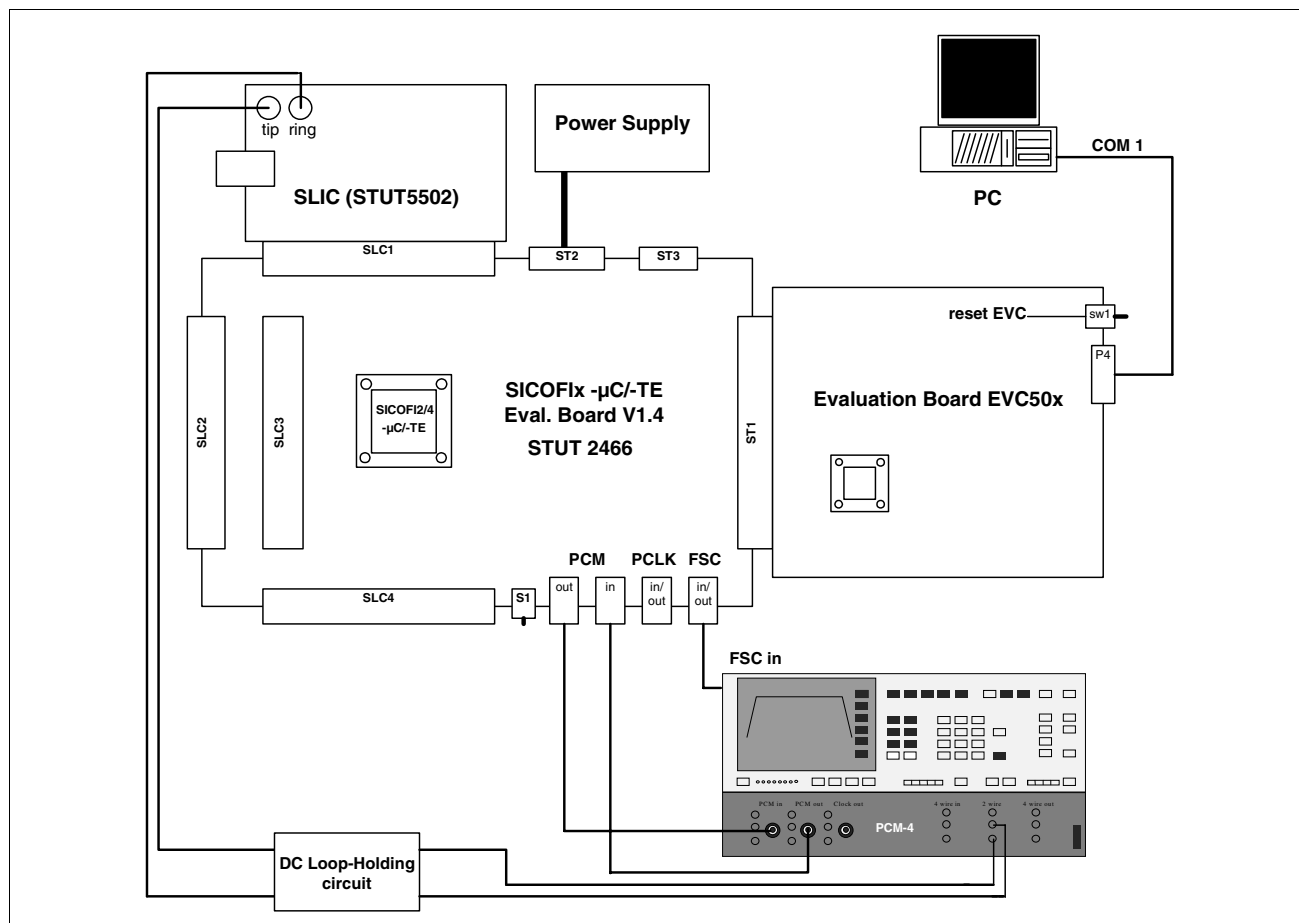


Figure 26 Development System with STUT 2466 Evaluation Board

7.2 Guidelines for Board Design

7.2.1 Filter Capacitors

- For high frequency noise rejection, use 100 nF SMD ceramic capacitors on pins V_{DDA12} , V_{DDA34} and V_{DDREF} and connect to GND. Additional 2.2 μ F tantalum capacitors are recommended.
- Use one 100 nF SMD ceramic capacitor on pin V_{DDD} and connect to GNDD.
- Use a 1 μ F – 10 μ F tantalum capacitor from +5 V supply to GND (central blocking).

Note: All blocking capacitors MUST be placed as close as possible to the SICOFI®4- μ C pins.

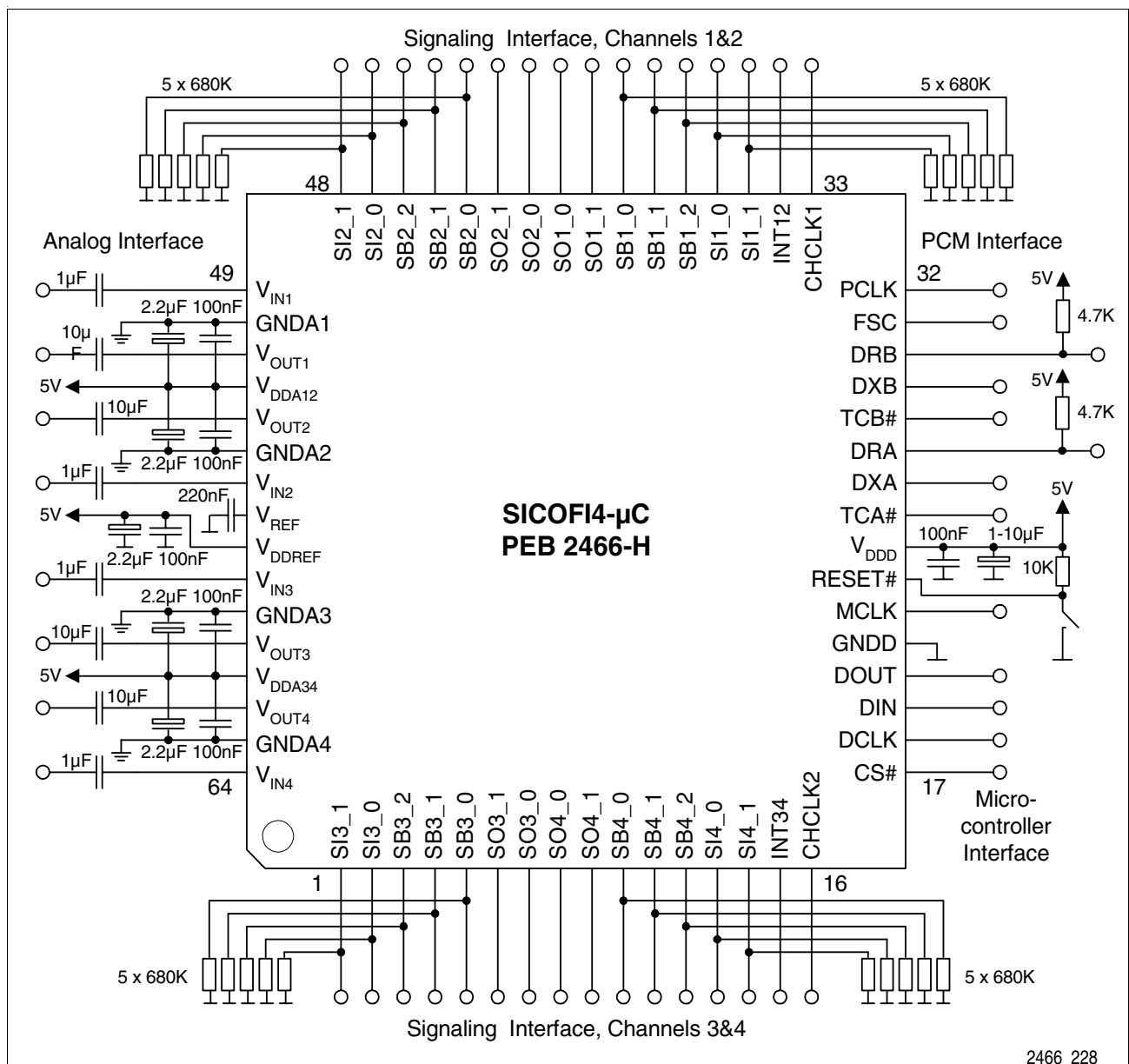


Figure 27 SICOFI®4- μ C Test Circuit Configuration

7.3 Proposal for SICOFI®4-μC Board Design

For a new layout design it is recommended to use a separate ground-layer which gives the possibility to connect all ground-pins of the SICOFI®4-μC (GNDA and GNDD) low-ohmic together.

Furthermore, an optimum board layout should follow these recommendations

- Separate all digital supply lines from analog supply lines as far as possible
- Applying the standard practice regarding blocking capacitors is recommended
- Place all SLIC circuits as close as possible to the Vinx/Voutx pins of the SICOFI
- Separate all analog circuitry (especially SLIC and Vinx/Voutx) as far as possible from any digital signal source (esp. clock signals)

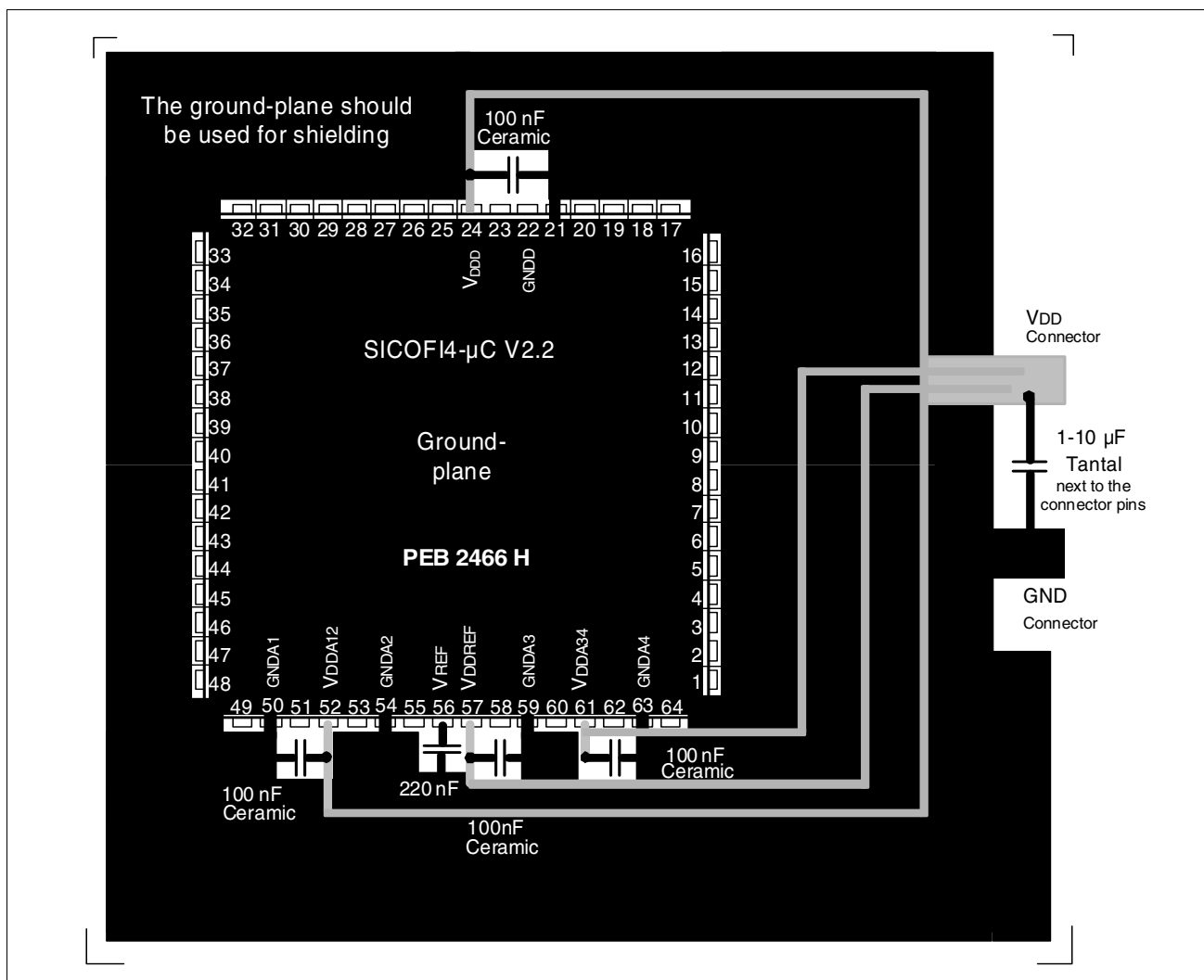


Figure 28 Proposal for a ground concept

VDD is the grey colored layer and the Ground-plane is the black colored layer. The Ground-plane should be on both sides of the board on the top and on the ground layer.

8 Electrical Characteristics and Timing Diagrams

8.1 Absolute Maximum Ratings

Parameter	Symbol	Limit Values		Unit	Test Condition
		min.	max.		
V_{DD} referred to GNDD		-0.3	7.0	V	
GNDA to GNDD		-0.6	0.6	V	
Analog input and output voltage Referred to $V_{DD} = 5\text{ V}$; Referred to GNDA = 0 V		-5.3 -0.3	0.3 5.3	V V	
All digital input voltages Referred to GNDD = 0 V; ($V_{DD} = 5\text{V}$) Referred to $V_{DD} = 5\text{ V}$; (GNDD = 0 V)		-0.3 -5.3	5.3 0.3	V V	
DC input and output current at any input or output pin (free from latch-up)			10	mA	
Storage temperature	T_{STG}	-60	125	°C	
Ambient temperature under bias	T_A	-10	80	°C	
Power dissipation (package)	P_D		1	W	

Note: Stresses above those listed here may cause permanent damage to the device. Exposure to absolute maximum rating conditions for extended periods may affect device reliability.

Electrical Characteristics and Timing Diagrams

8.2 Operating Range

$V_{DD} = 5\text{ V} \pm 5\%$; $GNDD = 0\text{ V}$; $GNDA = 0\text{ V}$;
 $T_A = 0\text{ }^\circ\text{C}$ to $+70\text{ }^\circ\text{C}$ (PEF 2466: $-40\text{ }^\circ\text{C}$ to $+85\text{ }^\circ\text{C}$)

Parameter	Symbol	Limit Values			Unit	Test Condition
		min.	typ.	max.		
V_{DD} supply current:	I_{DD}					FSC = 8 kHz, PCLK = MCLK = 2.048 MHz, no loads, PCM idle codes, $V_{IN} = 0\text{ V}$.
Standby (PEB 2466)			0.5	1.0	mA	
Standby (PEF 2466)			0.5	1.5	mA	
1 channel operating			14	25	mA	
2 channels operating			18	30	mA	
3 channels operating			22	35	mA	
4 channels operating		26	40	mA		
Power supply rejection ratio (either direction)	$PSRR$	30			dB	Ripple: sine wave 1014 Hz, 70 mVrms, on every supply pin, AGX=AGR=AX=AR=0dB (see Chapter 4.2.4)

8.3 Digital Interface

$V_{DD} = 5\text{ V} \pm 5\%$; $GNDD = 0\text{ V}$; $GNDA = 0\text{ V}$;
 $T_A = 0\text{ }^\circ\text{C}$ to $+70\text{ }^\circ\text{C}$ (PEF 2466: $-40\text{ }^\circ\text{C}$ to $+85\text{ }^\circ\text{C}$);

Parameter	Symbol	Limit Values		Unit	Test Condition
		min.	max.		
Input voltages:					
Low level	V_{IL}	-0.3	0.8	V	
High level	V_{IH}	2.0		V	
Output voltages:					
Low level	V_{OL}		0.45	V	$I_{OL} = -2\text{ mA}$
Low level	V_{OL}		0.8	V	$I_{OL} = -5\text{ mA}$
High level	V_{OH}	4.4		V	$I_{OH} = 0.4\text{ mA}$
High level	V_{OH}	4.0		V	$I_{OH} = 2\text{ mA}$
High level	V_{OH}	2.4		V	$I_{OH} = 5\text{ mA}$
Input leakage current	V_{IL}		± 1	μA	$-0.3 \leq V_{IN} \leq V_{DD}$

Electrical Characteristics and Timing Diagrams

8.4 Analog Interface

$V_{DD} = 5\text{ V} \pm 5\%$; $GNDD = 0\text{ V}$; $GNDA = 0\text{ V}$;
 $T_A = 0\text{ }^\circ\text{C}$ to $+70\text{ }^\circ\text{C}$ (PEF 2466: $-40\text{ }^\circ\text{C}$ to $+85\text{ }^\circ\text{C}$)

Parameter	Symbol	Limit Values			Unit	Test Condition
		min.	typ.	max.		
Input resistance	R_i					
PEF 2466		160	270	500	k Ω	$0 \leq V_{IN} \leq V_{DD}$
PEB 2466		160	270	380	k Ω	
Output resistance	R_o			0.25	Ω	
Output load	R_L C_L	300		50	Ω pF	
Input leakage current	I_{IL}		± 0.1	± 1.0	μA	$0 \leq V_{IN} \leq V_{DD}$
Input offset voltage	V_{IO}			± 50	mV	
Output offset voltage	V_{OO}			± 50	mV	
Input voltage range (AC)	V_{IN}			± 2.223	V	

8.4.1 Coupling Capacitors at the Analog Interface

Coupling capacitors are required on pins V_{IN} and V_{OUT} .

The recommended value for V_{IN} is $>39\text{ nF}$. The required value for the V_{OUT} capacitor depends on the input impedance of the SLIC (see **Figure 16** in **Chapter 5.1**).

8.5 Reset Timing

To reset the SICOFl[®]4- μC to Reset State, logic low pulses applied to pin RESET# must be below 1.2 V (TTL-Schmitt-Trigger Input) and must persist longer than 3 μs .

Note: Spikes shorter than 1 μs will be ignored.

Electrical Characteristics and Timing Diagrams

8.6 PCM-Interface Timing

8.6.1 Single Clocking Mode

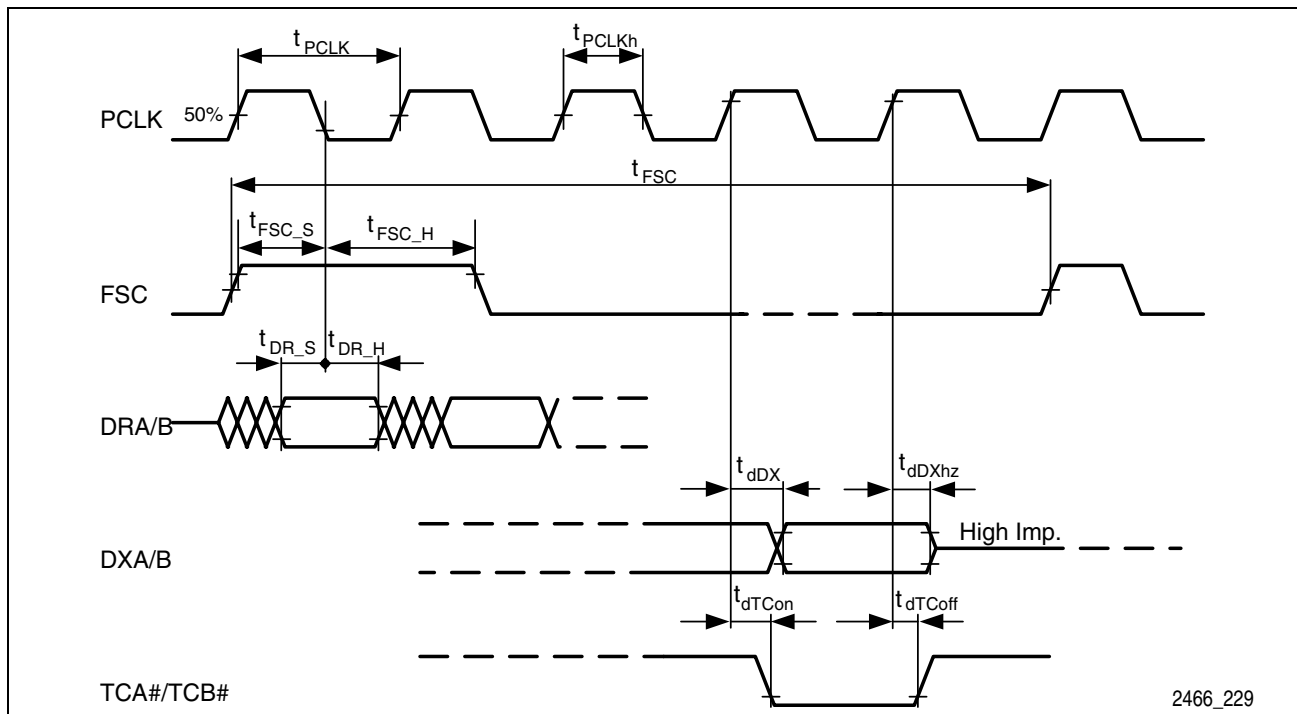


Figure 29 PCM Interface Timing in Single Clocking Mode

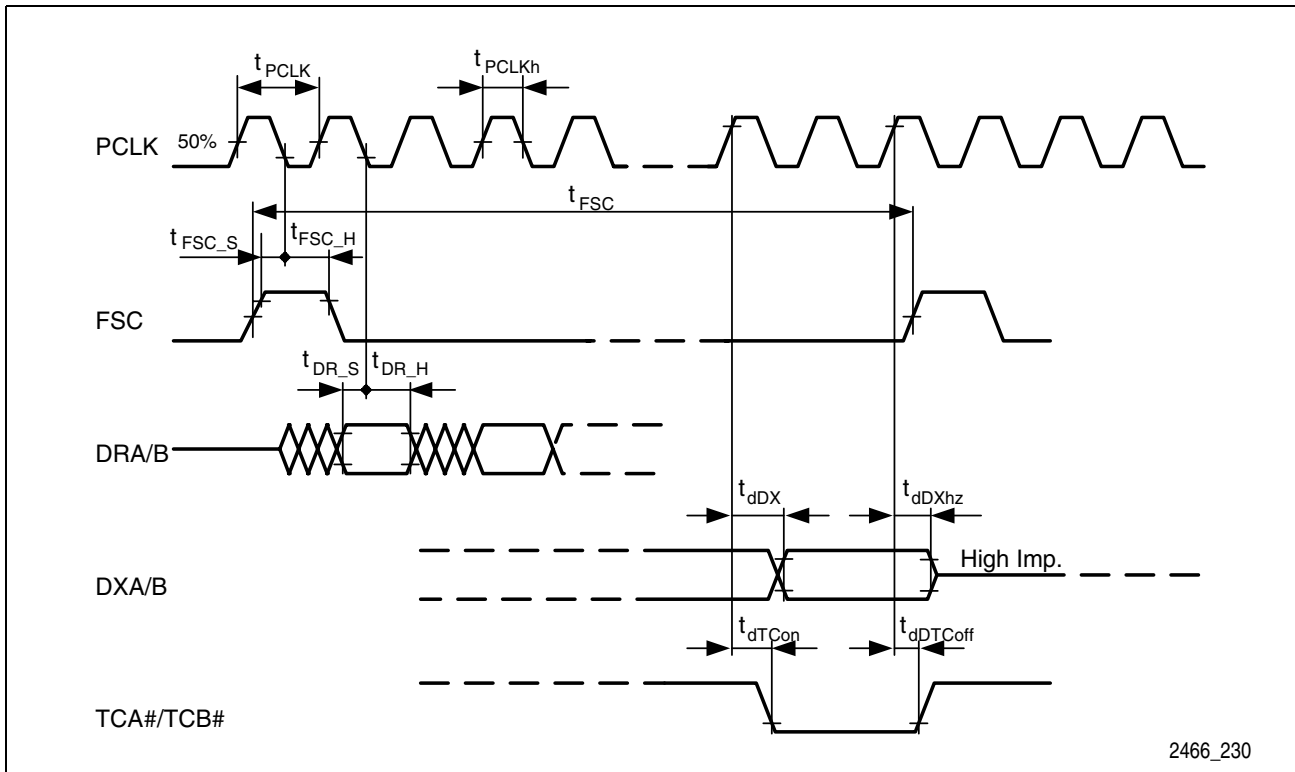
Parameter	Symbol	Limit Values			Unit
		min.	typ.	max.	
Period of PCLK	t_{PCLK}	1/8192		1/128	ms
PCLK high time	t_{PCLKh}	$0.4 \cdot t_{PCLK}$	$t_{PCLK}/2$	$0.6 \cdot t_{PCLK}$	μs
Period FSC	t_{FSC}		125		μs
FSC setup time	t_{FSC_s}	10	50		ns
FSC hold time	t_{FSC_h}	40	50		ns
DRA/B setup time	t_{DR_s}	10	50		ns
DRA/B hold time	t_{DR_h}	10	50		ns
DXA/B delay time ¹⁾	t_{dDX}	25		$t_{dDX_{min}} + t_{C_{Load}}$	ns
DXA/B delay time to high Z	t_{dDXhz}	25		50	ns
TCA#/TCB# delay time on	t_{dTCon}	25		$t_{dTCon_{min}} + t_{C_{Load}}$	ns
TCA#/TCB# delay time off	t_{dTCoFF}	25		$t_{dTCoFF_{min}} + t_{C^*R}$	ns

¹⁾ Min. delay times: intrinsic time, caused by internal processing. Max. delay times: min. time + delay caused by external components C_{Load} and R_{Pullup} :

$$t_{C_{Load}} = 0.4ns \cdot C_{Load}/pF$$

$$t_{C^*R} = R_{Pullup} \cdot C_{Load}; R_{Pullup} > 1.5k\Omega$$

8.6.2 Double Clocking Mode



2466_230

Figure 30 PCM Interface Timing in Double Clocking Mode

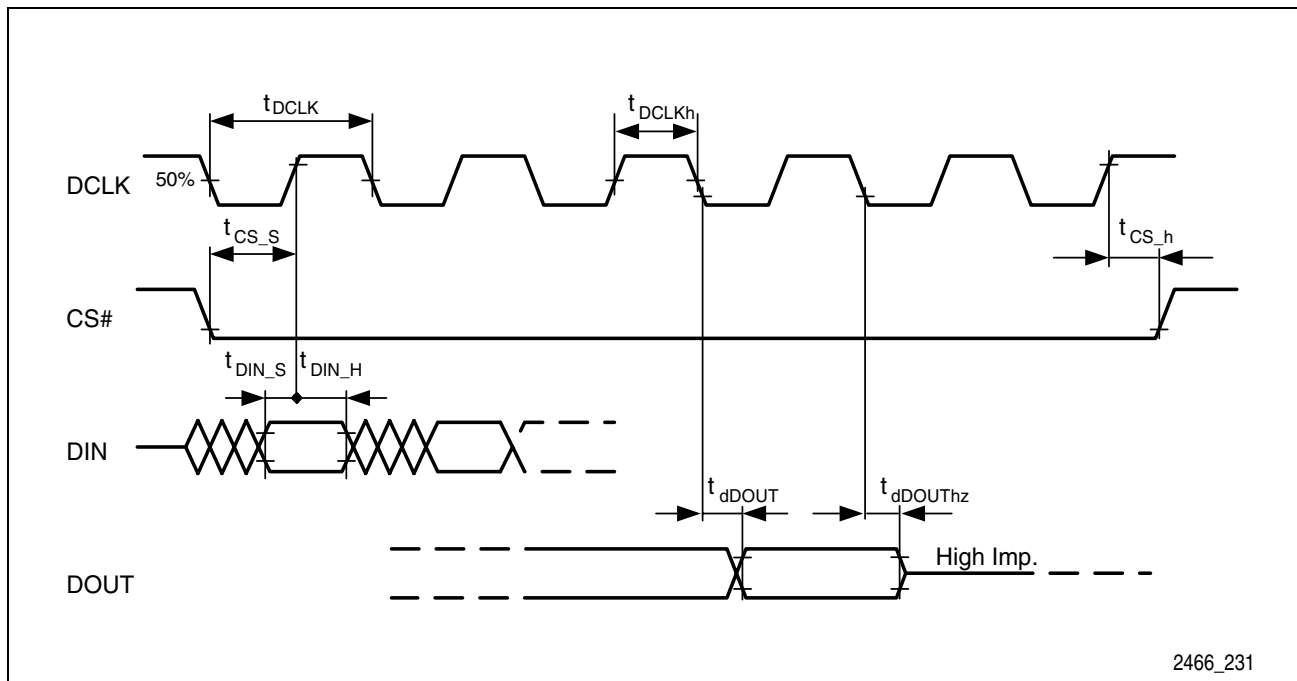
Parameter	Symbol	Limit Values			Unit
		min.	typ.	max.	
Period of PCLK	t_{PCLK}	1/8192		1/256	ms
PCLK high time	t_{PCLKh}	$0.4 \cdot t_{PCLK}$	$t_{PCLK}/2$	$0.6 \cdot t_{PCLK}$	μ s
Period FSC	t_{FSC}		125		μ s
FSC setup time	t_{FSC_s}	10	50		ns
FSC hold time	t_{FSC_h}	40	50		ns
DRA/B setup time	t_{DR_s}	10	50		ns
DRA/B hold time	t_{DR_h}	10	50		ns
DXA/B delay time ¹⁾	t_{dDX}	25		$t_{dDX_{min}} + t_{C_{Load}}$	ns
DXA/B delay time to high Z	t_{dDXhz}	25		50	ns
TCA#/TCB# delay time on	t_{dTCon}	25		$t_{dTCon_{min}} + t_{C_{Load}}$	ns
TCA#/TCB# delay time off	t_{dTCoFF}	25		$t_{dTCoFF_{min}} + t_{C^*R}$	ns

¹⁾ Min. delay times: intrinsic time, caused by internal processing. Max. delay times: min. time + delay caused by external components C_{Load} and R_{Pullup} .:

$$t_{C_{Load}} = 0.4ns \cdot C_{Load}/pF,$$

$$t_{C^*R} = R_{Pullup} \cdot C_{Load}; R_{Pullup} > 1.5k\Omega$$

8.7 Microcontroller Interface Timing



2466_231

Figure 31 Timing of the Microcontroller Interface

Parameter	Symbol	Limit Values			Unit
		min.	typ.	max.	
Period of DCLK	t_{DCLK}	1/8192			ms
DCLK high time	t_{DCLKh}	$0.4 \cdot t_{DCLK}$	$t_{DCLK}/2$	$0.6 \cdot t_{DCLK}$	μ s
CS# setup time	t_{CS_s}	10	50		ns
CS# hold time	t_{CS_h}	30	50		ns
DIN setup time	t_{DIN_s}	10	50		ns
DIN hold time	t_{DIN_h}	10	50		ns
DOUT delay time ¹⁾	t_{dDOUT}	30		$t_{dDOUT_min} + t_{C_Load}$	ns
DOUT delay time to high Z	$t_{dDOUThz}$	30		50	ns

¹⁾ All delay times are made up by two components: an intrinsic time (min-time), caused by internal processing, and a second component $t_{C_Load} = 0.4ns \cdot C_{Load}/pF$, caused by external circuitry (C-load).

8.8 Signaling Interface Timing

8.8.1 Timing from the μ C Interface to the SO/SB-pins

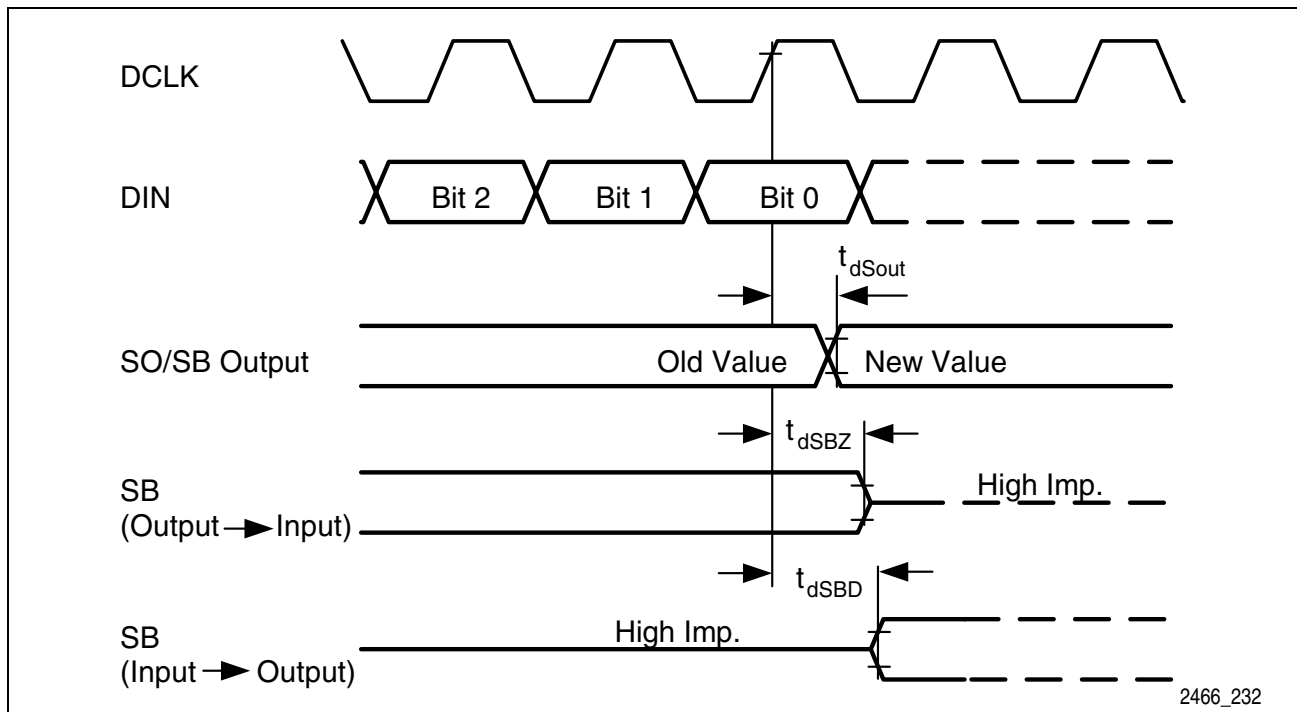


Figure 32 Signaling Output Timing (data downstream)

Parameter	Symbol	Limit Values			Unit
		min.	typ.	max.	
SO/SB delay time ¹⁾	t_{dSout}	30		$t_{dSout_min} + t_{C_Load}$	ns
SB to 'Z' - time	t_{dSBZ}	40		100	ns
SB to 'drive' - time	t_{dSBD}	40		$t_{dSBD_min} + t_{C_Load}$	ns

¹⁾ All delay times are made up by two components: an intrinsic time (min-time), caused by internal processing, and a second component $t_{C_Load} = 0.4ns \cdot C_{Load}/pF$, caused by external circuitry (C-load).

8.8.2 Timing from the SI/SB-pins to the μ C Interface

The register update and interrupt behavior resulting from signaling input changes (data upstream – pins SI and SB, if programmed as signaling inputs) depend on internal sampling clocks, counters and register settings. See **Chapter 5.3.2** for a functional description.

9 Test Modes

Each SICOFI[®]4- μ C channel has four test loops that feed the analog input signal back to the analog output (analog test loops), and five test loops that feed the PCM input signal back to the PCM output.

Note: The signal path can also be cut off at two different points per receive and transmit direction.

9.1 Analog Loops

The four analog loops feed signals from the transmit path back into the receive path. **Figure 33** shows the locations of the analog loops.

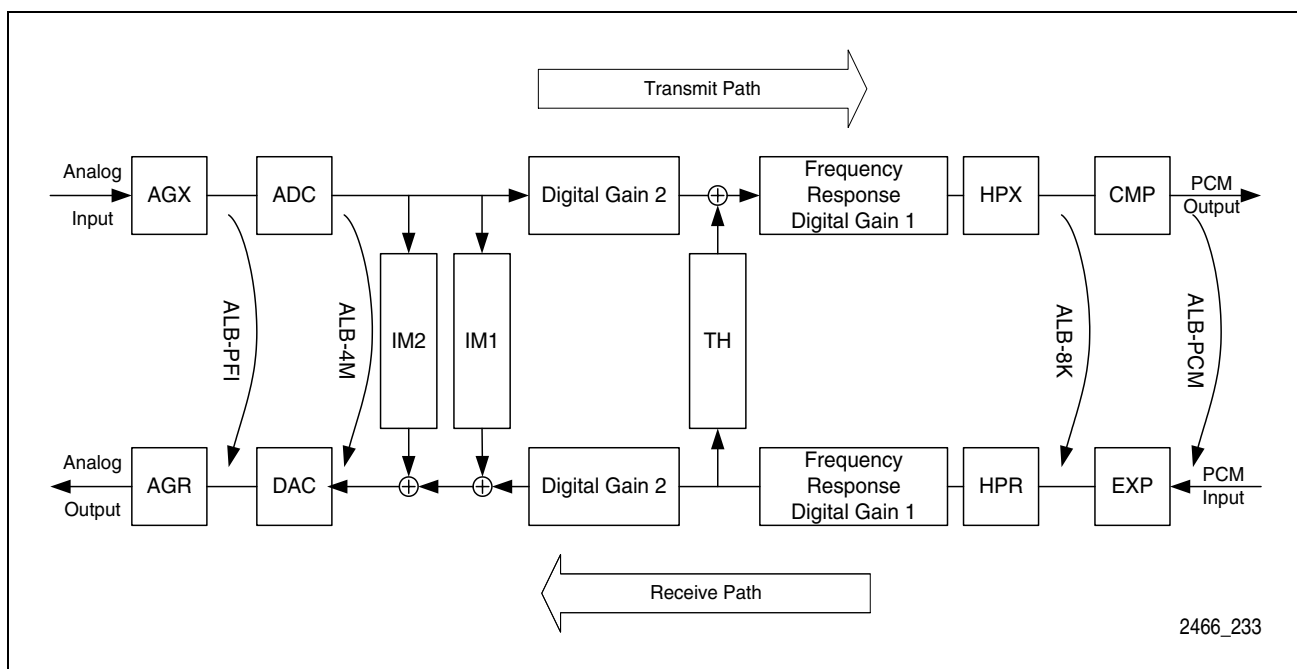


Figure 33 Analog Loops

Table 34 Analog Loop Programming in Register CR3, Bits 7 to 4

Test-Loops	Analog Loops (CR3.7 = 0)	
0000	All loops are disabled (normal operation).	
0001	ALB-PFI	Analog Loop Back via PREFI-POFI is selected.
0011	ALB-4M	Analog Loop Back via 4 MHz is selected.
0100	ALB-PCM	Analog Loop Back via 8 kHz (PCM) is selected and in all channels active . (required slope setting in XR6.6, XR6.5 = 00 or 11).
0101	ALB-8K	Analog Loop Back via 8 kHz (linear) is selected.

9.2 Digital Loops

The digital loops feed signals from the receive path back to the transmit path. There are five digital loops, which are shown in **Figure 34**.

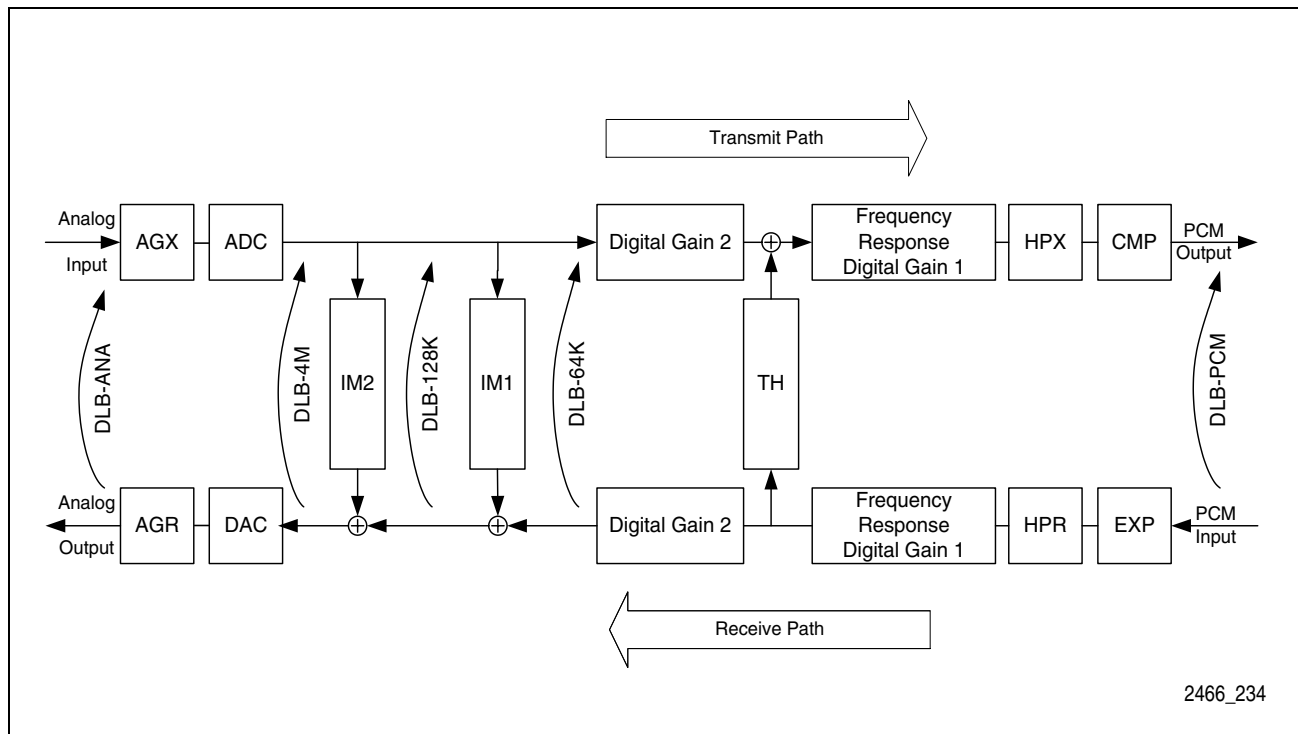


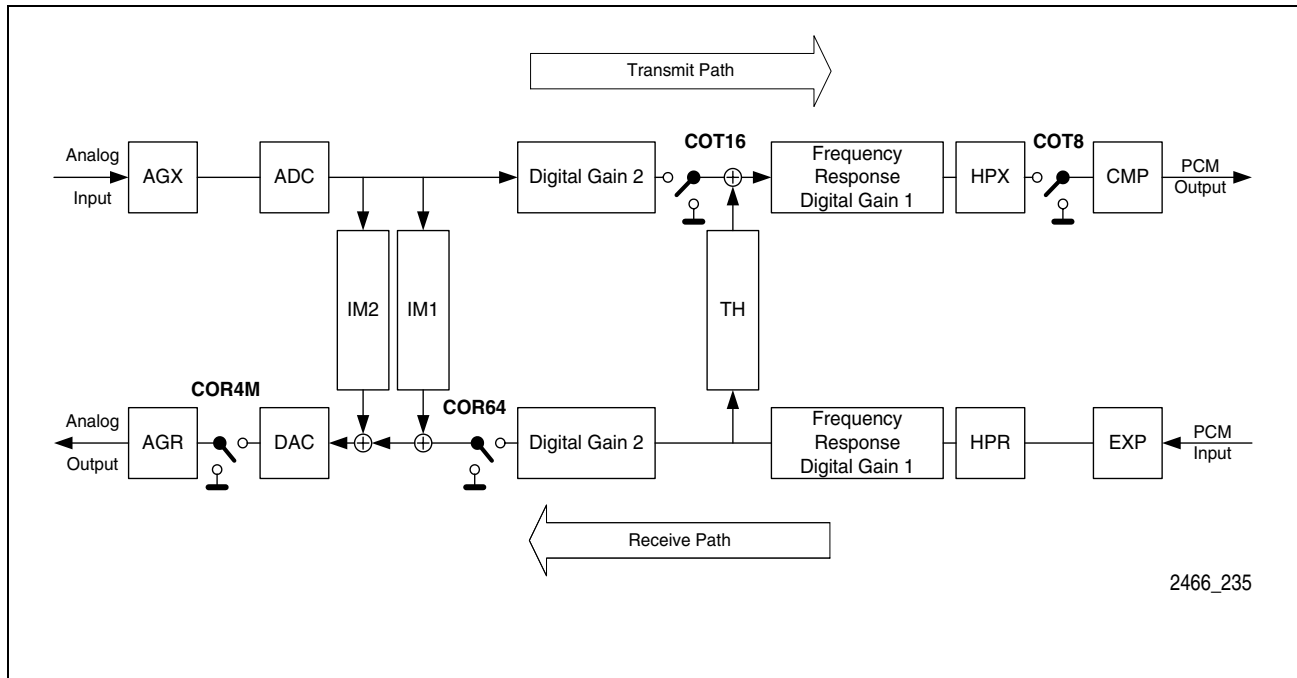
Figure 34 Digital Loops

Table 35 Digital Loop Programming in Register CR3, Bits 7 to 4

Test-Loops	Digital Loops (CR3.7 = 1)
1000	DLB-ANA Digital Loop Back via analog port is selected.
1001	DLB-4M Digital Loop Back via 4 MHz is selected.
1100	DLB-128K Digital Loop Back via 128 kHz is selected.
1101	DLB-64K Digital Loop Back via 64 kHz is selected.
1111	DLB-PCM Digital Loop Back via PCM Registers is selected.

9.3 Cut-Off's

The transmit path and the receive path can be cut off at two locations each. **Figure 35** shows the locations in the signal paths.



2466_235

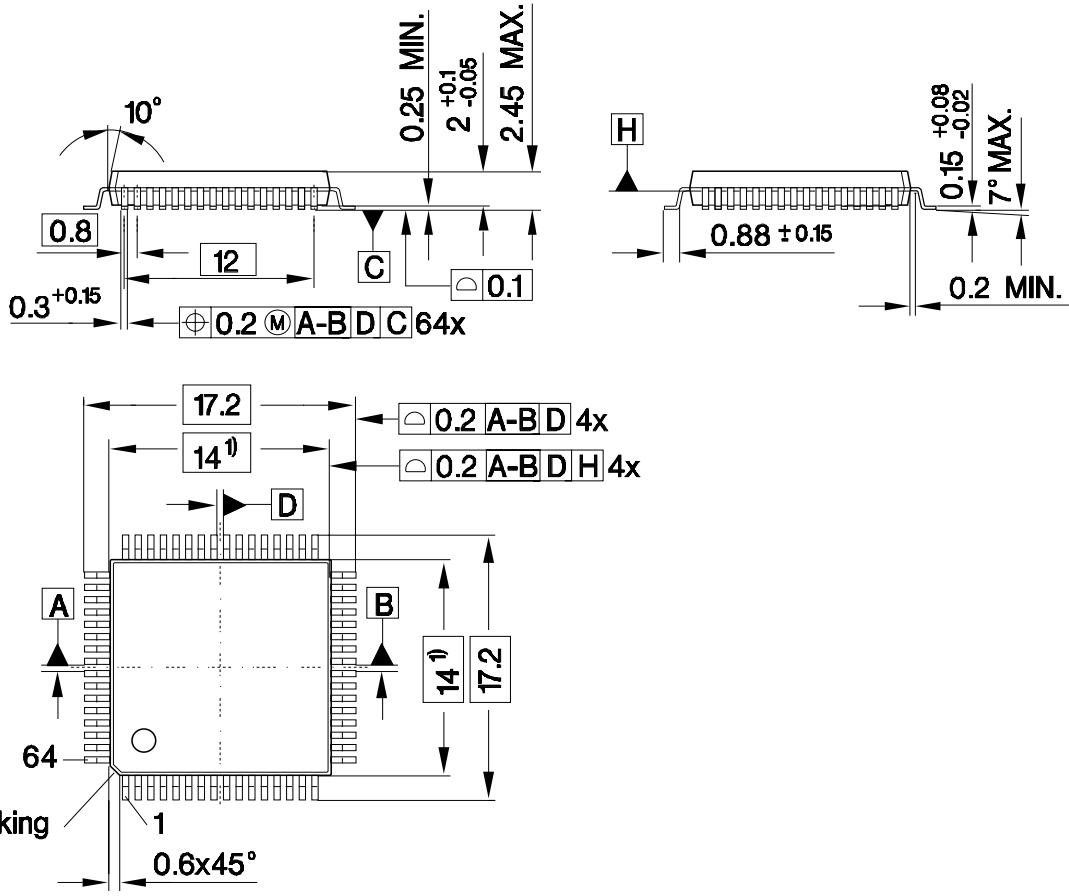
Figure 35 Cut-Off's

Table 36 Cut-Off Programming in Register CR2, Bits 7 to 5.

COT/R	Cut-Off's in the Transmit and the Receive Paths	
000	All Cut-offs disabled (Normal Operation).	
001	COT16	Cut Off Transmit path at 16 kHz (input of TH-Filter).
010	COT8	Cut Off Transmit path at 8 kHz (shortens the input of the compressor unit to ground, resulting in PCM idle codes in the transmit time slot).
101	COR4M	Cut Off Receive path at 4 MHz (POFI-output).
110	COR64	Cut Off Receive path at 64 kHz (IM-filter input).

10 Package Outlines

P-MQFP-64 (Plastic Metric Quad Flat Package)



1) Does not include plastic or metal protrusion of 0.25 max. per side

GPM05250

Sorts of Packing

Package outlines for tubes, trays etc. are contained in our Data Book "Package Information".

SMD = Surface Mounted Device

Dimensions in mm

11 Glossary

AC	A lternating C urrent
ADC	A nalog-to- D igital C onverter
CMOS	C omplementary M etal O xide S emiconductor
CO	C entral O ffice
COT	C entral O ffice T erminal
CRAM	C oefficient R AM
DAC	D igital-to- A nalog C onverter
DC	D irect C urrent
DLC	D igital L oop C arrier
DSP	D igital S ignal P rocessor
DTMF	D ual T one M ulti F requency
FIR	F inite I mpulse R esponse
FTTC	F iber- T o- T he- C urb
IIR	I nfinite I mpulse R esponse
IOM-2	I SDN- O riented M odular 2 nd G eneration
ITU	I nternational T elecommunication U nion
ITU-T	I nternational T elecommunication U nion- T elecommunication Standardization Sector (formerly CCITT)
PBX	P rivate B ranch E xchange
PCM	P ulse C ode M odulation
PSTN	P ublic S witched T elephone N etwork
PTT	P ost T elephone T elegraph
QSICOS	Q uad S ICOFI C oefficient S oftware
RITL	R adio- I n- T he- L oop
RT	R emote T erminal
SICOFI	S ignal P rocessor C odec F ilter
SLIC	S ubscriber L ine I nterface C ircuit
t/r	tip/ring

Index

Symbols

μ -Law 2, 11, 14, 19, 30
 μ -Law mode 15, 22

Numerics

0 dBm0-Levels 14
 2-wire to 4-wire conversion 10
 8-bit time slots 2

A

A/ μ -Law compression/expansion 3
 A/D and D/A converters 11, 18, 26
 A/D converters 14, 23
 Absolute gain 17
 Absolute group delay 18
 Absolute maximum ratings 46
 AC transmission characteristics 27
 Accuracy of digital filters 10, 11
 ADC 2, 11
 ADC and DAC 3
 A-Law 2, 11, 14, 19, 30
 A-Law mode 15
 Ambient temperature 46
 Analog ground pins 8, 9, 29
 Analog I/O 2
 Analog input 13
 Analog input/output pins 29
 Analog Interface 3, 14, 27, 28, 48
 Analog Interface pins 29
 Analog loop programming 53
 Analog loops 3, 53
 Analog output 13
 Analog supply 45
 Analog voice input/output pins 8, 9
 Analog voltage levels 14
 Application hints 43
 Application Notes 1
 AR 41

Architecture 2
 Attenuation 18
 AX 41

B

Balancing filter 26
 Bi-directional signaling pins 6, 8, 34
 Blocking capacitors 44
 Board design 44
 Byte-by-byte transfer 37

C

Ceramic capacitors 44
 Channel operating ranges 47
 Channel-pair 34
 Channels 2, 22, 29, 39
 Channel-specific coefficients 41
 Channel-specific registers 11, 12, 39, 40
 Chip Select 6, 35, 36
 Chopper Clock 6, 8, 34
 Clock 11, 32, 34, 35
 Clock output signals 2
 Clock programming 35
 C-message 19
 Codec filter 2
 Coefficient calculation & configuration software 3
 Coefficient Operation (COP) command 42
 Coefficient operation commands 41
 Coefficient RAM 11, 35, 36, 39, 41
 Command sequences 37, 42
 Command type 42
 Commands 36
 Common configuration registers 11, 39, 40
 Compression 3
 Compressor 11
 Configuration of interfaces 27
 Configuration registers 36, 39
 Control Data input/output pins 36
 Conversion utilities 43

COP	42	DOUT	51
COP command sequences	41	Driving capability	3, 27
Country-specific adaptations	10	DSP core	2, 3, 10, 11
Coupling capacitors	27, 29, 48	DTMF	3
CR0 to CR5	39	Dynamic gain	3
CR0 to CR7	40	Dynamic range	11
CRAM	11, 35, 36, 39, 41, 42	E	
CRAM structure	41	EASY 2466	3, 43
Crosstalk	22	EASY 2466 evaluation system	43
CR-Registers	11	Echo	26
CS#	35, 51	Electrical characteristics	46
Cut-Off programming	55	Evaluation boards	43
Cut-Off's	55	EVC50x	43
D		Expander	11
DAC	2, 11	Expansion	3
Data bytes	36	Extended Operation (XOP) command	42
Data Clock	6, 36	Extended temperature range	2
Data input pins	6	External amplifier	27
Data output pins	7	External components	26
Data pins	35	F	
Data rates	3, 11, 30	Fiber-to-the-Curb Systems	4
Data receive pins	7	Filter capacitors	44
Data transmit pins	7	Filter characteristics	10
DCLK	51	Filter coefficients	27
Debouncing functions	32, 34	Filter coefficients storage	11
Decimation	11	Filter structures	11
Detect specific tones	10	Flow diagram	16
Development boards	3, 43	Fluctuation	10
Digital filters	3	Four-wire interface	10
Digital ground pins	7	Frame	30
Digital input	13	Frame delay	30
Digital interface	47	Frame Synchronization Clock	7, 30
Digital loop programming	54	Frequency correction	11
Digital loops	3, 54	Frequency response	3, 18, 27
Digital output	13	Frequency response corrections	10, 16
Digital switching & transmission system	2	FRR	41
Digital, programmable filters	10	FRX	41
DIN	51	FSC	49, 50
DLC	4		
Double clocking mode timing	50		

Functional blocks	39	Interfaces	39
G		Intermodulation	20
Gain	15, 26	Intermodulation distortion	20
Gain accuracy	17	Internal registers	35
Gain deviations with input level	17	Interpolation	11
Gain tracking	17	Interrupt generation	34
Ground pins	45	Interrupt output pin	8
Ground plane	45	Interrupt output pins	6, 34
Ground-key detection	10	Interrupt pins	32
Group delay	18, 26	Inventory costs	4
Group delay absolute values	18	ITU-T	3, 14, 16
Group delay distortion	19	K	
H		Key Systems	4
Hardware filters	11, 23	L	
Hardware reset	12	Level adjustments	10, 11
Harmonic distortion	20	Level metering	3, 10
High impedance state	36	Line characterization	10
Highway	11	Linearity	3, 11
HW-Reset	12	Linecard functions	10
I		Load capacities	14
I/O pins	32	Local requirements	10
Identification byte	36	Loop filters	10
Idle channel noise	19	M	
IM-filter	26, 41	Manufacturing test	3
Impedance matching	3, 10, 11, 16	Master Clock	7, 34
Independent filter structures	2	Maximum signal levels	14
Industry–standard PCM Interface	30	Measurements	43
Input impedance	10, 29, 48	Microcontroller	10
Input leakage current	47, 48	Microcontroller Interface	10, 35, 41, 42
Input offset voltage	48	Microcontroller Interface timing	51
Input pins	12, 32	Microcontrollers	27
Input resistance	27, 48	N	
Input voltage range (AC)	48	Noise	19
Input voltages	47	Noise rejection	44
INT12	34		
INT34	34		
Interface description	27		

O

On-/off-hook detection	10
Operating conditions	16
Operating range	47
Operating state	12, 13
Operating states	12
Operation of interfaces	27
Operational description	12
Optimization	43
Other SICOFI devices	1
Out-of-band discrimination	23, 24
Out-of-band idle channel noise	25
Out-of-band signal	24
Out-of-band signals	27
Output load	48
Output offset voltage	48
Output resistance	48
Output voltages	47
Overload compression	22
Overload point	14, 22, 27
Oversampling	11

P

Package	3
Package Outlines	56
PCLK	49, 50
PCM Clock	30
PCM clock	30
PCM Data Clock	8
PCM data format	30
PCM highway A	7
PCM highway B	7
PCM highways	2, 3, 27, 30
PCM Interface	3, 14, 27
PCM Interface timing	50
PCM ports	11
PCM-Interface timing	49
Peak amplitude	14, 27
PEB 2266	1
PEB 2466	1

PEF 2466	1
Pin configuration	5
Pin definitions and functions	6
Pin descriptions	5
Pin diagram	5
PLL	11
Power dissipation	12, 14
Power dissipation (package)	46
Power On	12
Power spectral density	25
Power supply rejection ratio	47
Power-saving state	12
POWER-UP state	34
Product Brief	1
Product Overview	1
Programmable debouncing	3
Programmable digital filters	3
Programmable filters	26
Programmable frequency	13
Programmable tone generators	3
Programmer's Reference Manual	1
Programming overview	39
PSB 2132	1
PSB 2134	1
Psophometric	19

Q

QSICOS	3, 43
--------	-------

R

Radio-in-the-Loop Systems	4
Read access	36, 40
Read commands	36, 37
Receive data input pins	30
Receive delay	18
Receive path	10, 53, 54, 55
Reference voltage pin	9, 29
Register maps	40
Register model	39
Register values	13

Registers	11	Signal-to-total distortion ratio	20
Reset input pin	7	Sine wave signal	14
Reset state	12, 13, 48	Single clocking mode timing	49
Reset timing	48	Single frequency distortion	22
RESET#	12	SLIC	2, 3, 10, 16, 26, 27
RESET# pin	48	SLIC daughter cards	43
Resolution	11	SLIC interfaces	34
Return loss	10	SOP	42
Ring signals	10	Specifications	16
RITL	4	Spikes	48
RST	12	Standard temperature range	2
S		Standby operating range	47
Sampling	36	Standby state	12, 13
Sampling intervals	34	State diagram	12
Sampling slopes	30	States	12, 13
Schmitt-Trigger input	48	Status Operation (SOP) command . . .	42
Serial input	13	Storage temperature	46
Serial Interface	2	Subscriber line interface circuits . . .	2, 10, 27
Serial Microcontroller Interface . . .	10, 27, 35	Subscriber lines	32
Serial output	13	Supervision and signaling functions . .	32
Sigma-delta	11	Supply current	47
Signal levels	3, 15	Supply voltage	3
Signal paths	55	Supply voltage pins	7, 8, 29
Signal power transfer	10	Support tools	3, 43
Signal processor	10	SW-Reset	12
Signal reflections	10	System diagnostics	3
Signal rejection	23	System tests	3
Signaling example	33	T	
Signaling input pins	6, 8, 34	Tantalum capacitors	44
Signaling input/output pins	11	Telco specification	27
Signaling Interface	10, 27, 32	Telephone line	27
Signaling Interface pins	34	Telephone linecard	10
Signaling Interface timing	52	Telephone subscriber loop	10
Signaling output pins	6, 8, 34	Teletax filters	27
Signaling output timing	52	Teletax pulses	23, 27
Signaling pins	2, 32	Test circuit	44
Signaling registers	34	Test conditions	16
Signaling status changes	32	Test loop	26
Signal-to-noise performance	11	Test loops	53
Signal-to-total distortion	21	Test modes	53

Test relays	10	X	
TG1 and TG2	41		
TH-filter	39, 41		XOP 42
Three-Wire access	38		XR0 to XR7 40
Time slot assignment	3, 11		XR-Registers 11
Time slots	2, 30		
Time to market	4		
Timing	49, 51, 52		
Timing diagrams	46		
Tip & ring	27		
Tone generators	3, 10		
Tool package	43		
Total distortion	20, 21		
Total gain calculation	15		
Transfer functions	27		
Transformer	3, 10, 27		
Transformer SLIC	27		
Transhybrid balancing	3, 10, 11, 16, 26		
Transhybrid loss	10, 26		
Transmission characteristics	10, 14, 16, 39		
Transmission system	43		
Transmit control output pins	30		
Transmit data output pins	30		
Transmit delay	18		
Transmit path	10, 53, 54, 55		
Two-wire interface	10		
Types of commands	42		

V

VIN-pins	27
Voice channels	11
Voltage levels	12
VOUT-pins	27

W

Waiting time	37
Website	1
Write access	36, 40
Write commands	36, 37

Infineon goes for Business Excellence

“Business excellence means intelligent approaches and clearly defined processes, which are both constantly under review and ultimately lead to good operating results.

Better operating results and business excellence mean less idleness and wastefulness for all of us, more professional success, more accurate information, a better overview and, thereby, less frustration and more satisfaction.”

Dr. Ulrich Schumacher

<http://www.infineon.com>

Published by Infineon Technologies AG